



# **OHMTECH GEARS PVT LTD**

## **Quarter turn gear boxes**

# **Redefining reliability with performance.....**

OT series gearboxes are rugged & suitable for general industrial applications in Oil & gas, chemical, power, HVAC and many more applications.

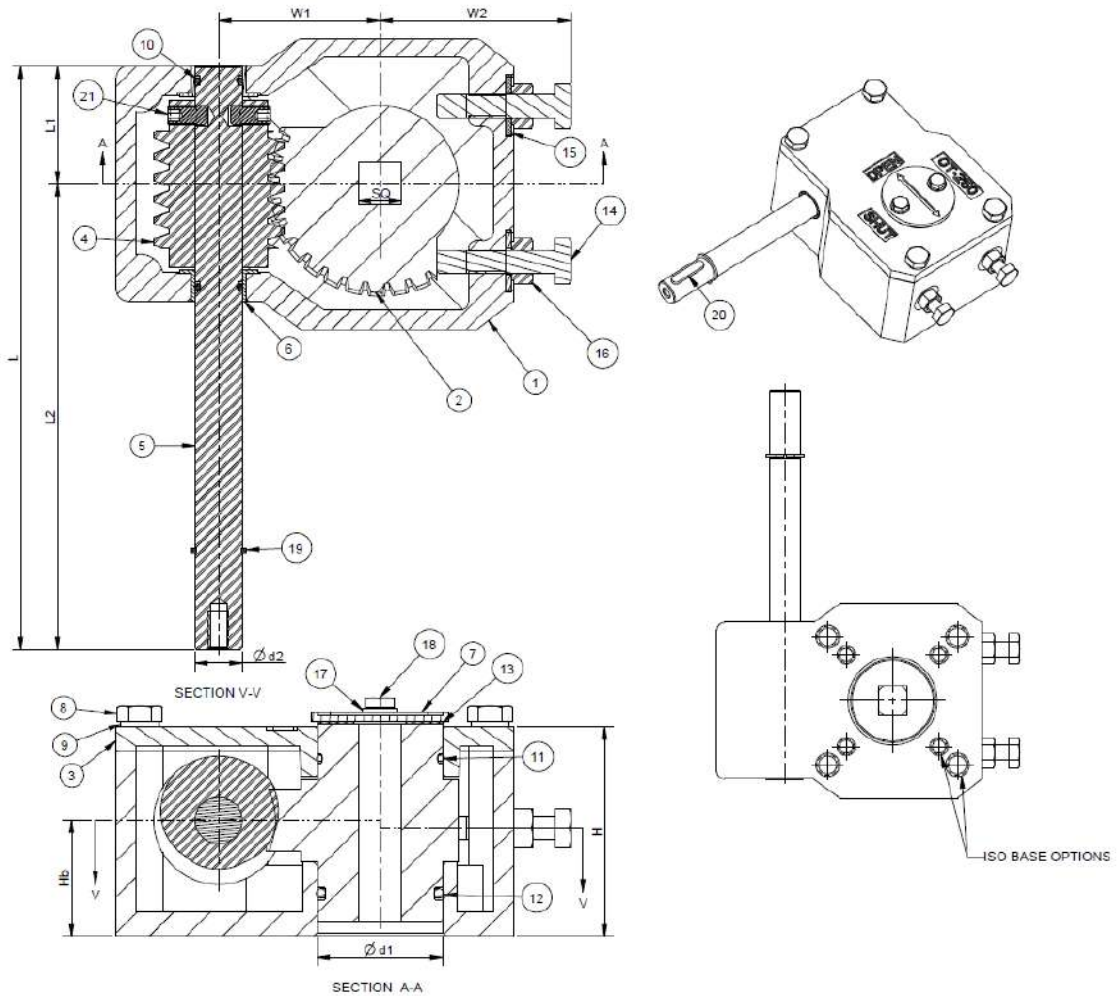
OT Gearboxes are intended for the operation of Quarter turn Ball, Plug & Butterfly valves. High grade CI Iron body with alloy steel worm shaft provides reliable performance for tough & arduous valve application.

### **Features.....**

- ❖ Rated torque 250 Nm to 2800 Nm
- ❖ Optimally selected gear Ratios & MA
- ❖ Mounting base to ISO 5211
- ❖ Two piece worm shaft
- ❖ Self locking with Ground teeth profiles
- ❖ Sealed to IP67
- ❖ Travel stops with +/-5 degovertravel
- ❖ Factory lubricated & maintenance free



## OT 250



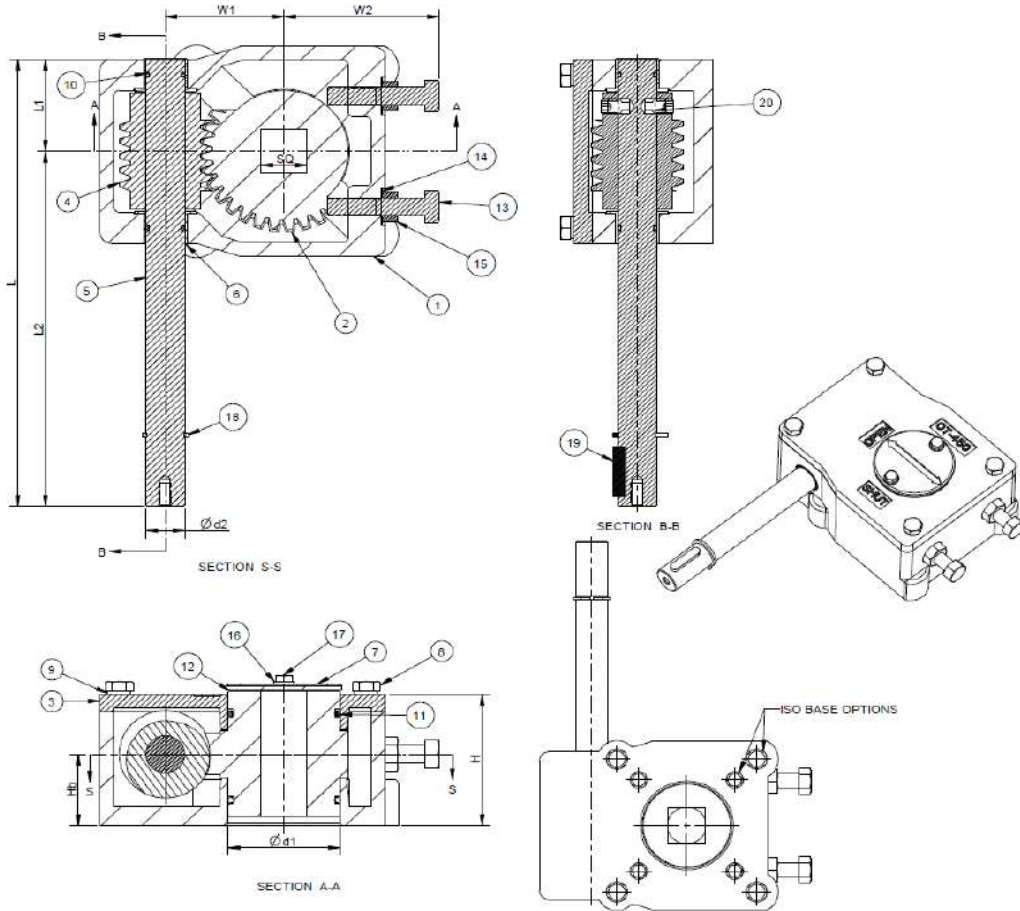
Item	Description	Qty	Material / Standard
1	Housing	1	C.I-IS210Gr.FG220
2	Quadrant	1	SG Iron IS:1865 500/7
3	Top cover	1	C.I-IS210Gr.FG220
4	Worm	1	BS:970 080M40(EN-8)
5	Shaft	1	BS:970 080M40(EN-8)
6	Bush	2	Phosphor bronze
7	Indicator	1	Aluminium
8	Hex Head screws	4	IS:1367 Gr.8.8
9	Spring washer	4	Carbon steel
10	O Ring	2	Nitrile rubber
11	O Ring	1	Nitrile rubber

Item	Description	Qty	Material / Standard
12	O Ring	1	Nitrile rubber
13	Indicator-Gasket	1	Nitrile rubber - 70 Shore
14	Hex Head screws	2	IS:1367 Gr.8.8
15	Copper washer	2	IS:1367 Gr.8.8
16	Hex nut	2	IS:1367 Gr.8.8
17	Plain washer	2	Carbon steel
18	Hex Head Bolt	2	IS:1367 Gr.8.8
19	Circlip	1	Carbon Steel-DIN 471
20	Key	1	Steel
21	Hex socket set screw	2	DIN 913

MODEL	L	L1	L2	W1	W2	H	Hb	Φd1	Φd2	SQ	ISO
OT250	150.25	30.25	120	41	48.5	54	30	32.1 32.0	12.00 11.98	14.20 14.10	F05,F07



## OT 450, OT500



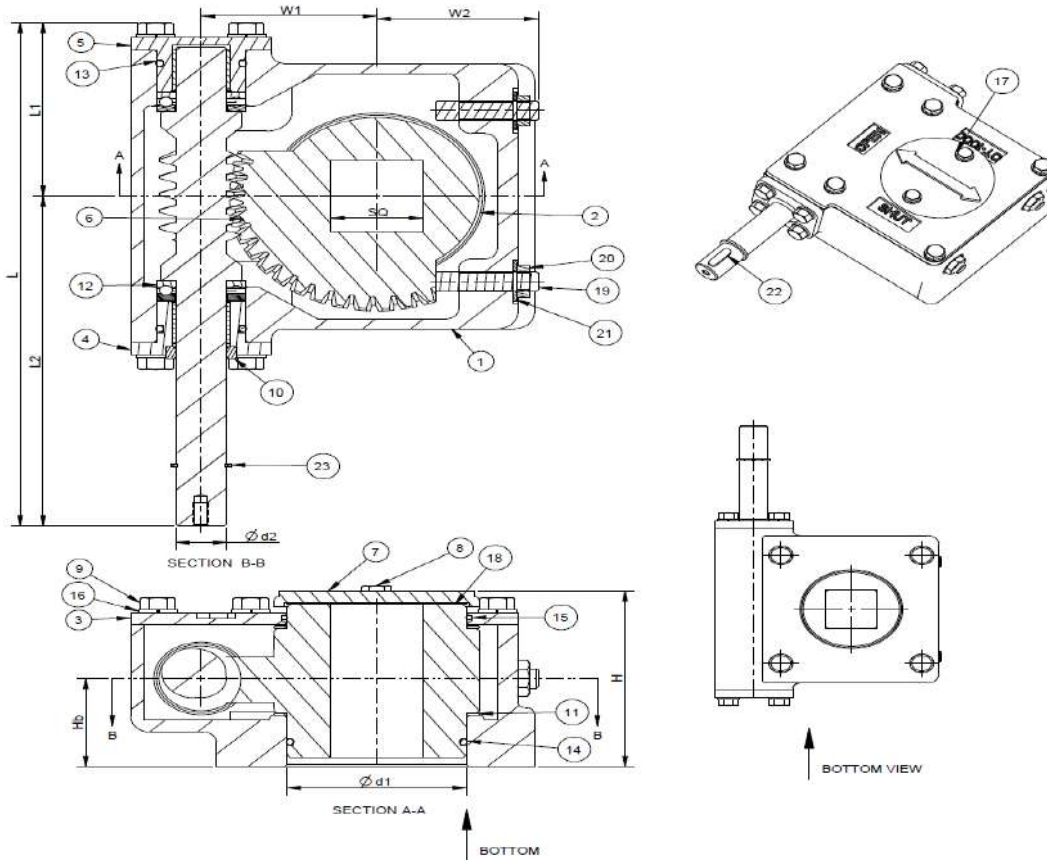
Item	Description	Qty	Material / Standard
1	Housing	1	C.I-IS210Gr.FG220
2	Quadrant	1	SG Iron IS:1865 500/7
3	Top cover	1	C.I-IS210Gr.FG220
4	Worm	1	BS:970 080M40(EN-8)
5	Shaft	1	BS:970 080M40(EN-8)
6	Bush	2	Phosphor bronze
7	Indicator	1	Aluminium
8	Hex Head screws	4	IS:1367 Gr.8.8
9	Spring washer	4	Carbon steel
10	O Ring	2	Nitrile rubber
11	O Ring	2	Nitrile rubber

Item	Description	Qty	Material / Standard
12	Indicator-Gasket	1	Nitrile rubber - 70 Shore
13	Hex Head screws	2	IS:1367 Gr.8.8
14	Copper washer	2	IS:1367 Gr.8.8
15	Hex nut	2	IS:1367 Gr.8.8
16	Plain washer	2	Carbon steel
17	Hex Head Bolt	2	IS:1367 Gr.8.8
18	Circlip	1	Carbon Steel-DIN 471
19	Key	1	Steel
20	Hex socket set screw	2	DIN 913

MODEL	L	L1	L2	W1	W2	H	Hb	Φd1	Φd2	SQ	ISO
OT450	194	40	154	49	64	57	31	46.2 46.1	16.00 15.97	22.20 22.10	F07,F10
OT500	197	41.5	155.5	57	76	59	33.5	54.2 54.1	16.00 15.97	27.20 27.10	F07,F10



## OT 1000



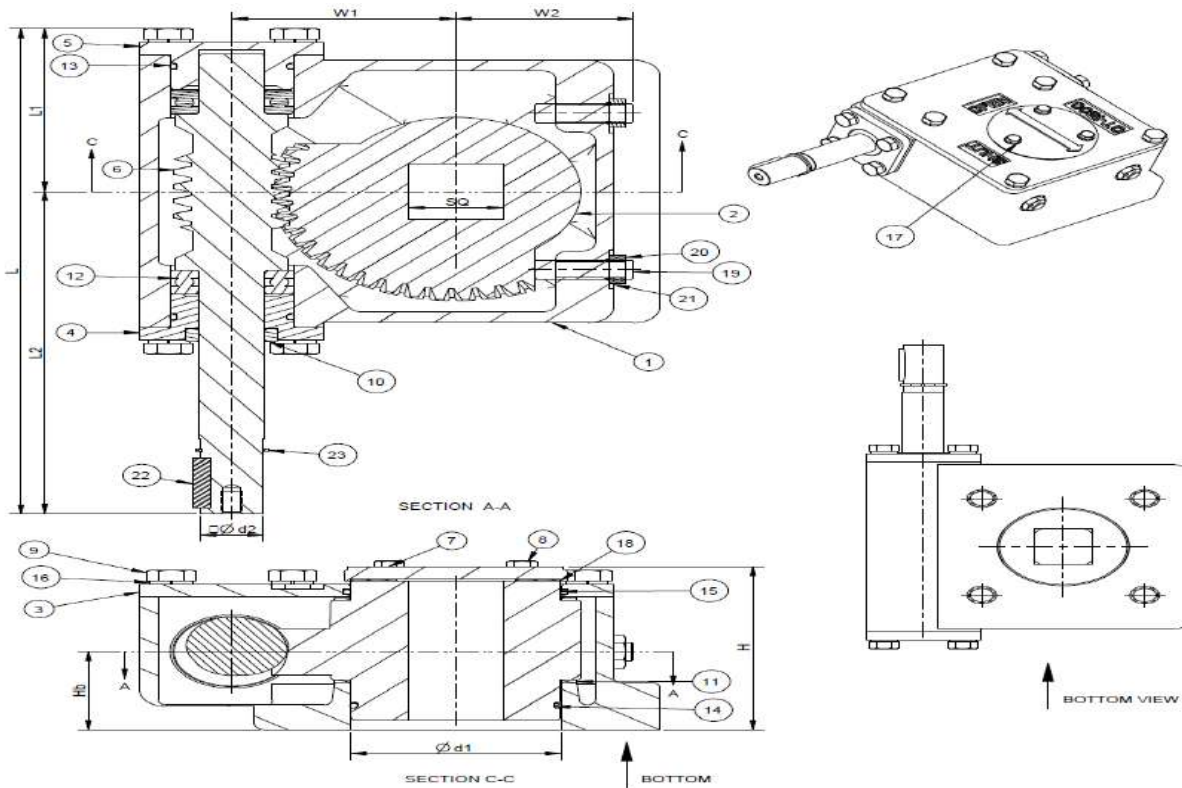
Item	Description	Qty	Material / Standard
1	Housing	1	C.I-IS210Gr.FG220
2	Quadrant	1	SG Iron IS:1865 500/7
3	Top cover	1	C.I-IS210Gr.FG220
4	End cover front	1	C.I-IS210Gr.FG220
5	End cover rear	1	C.I-IS210Gr.FG220
6	Worm shaft	1	BS:970 080M40(EN-8)
7	Indicator	1	Aluminium
8	Hex Head screws	3	IS:1367 Gr.8.8
9	Hex Head screws	14	IS:1367 Gr.8.8
10	Oil seal	1	Nitrile rubber
11	Thrust washer	2	Stainless steel - 316
12	Thrust bearing	2	Stainless steel - 316

Item	Description	Qty	Material / Standard
13	O Ring-Rear cover	2	Nitrile rubber - 70 Shore
14	O Ring-Quadrant	1	Nitrile rubber - 70 Shore
15	O Ring-Top cover	1	Nitrile rubber - 70 Shore
16	Spring Washer	14	Carbon Steel
17	Plain washer	3	Carbon steel
18	Indicator-Gasket	1	Nitrile rubber - 70 Shore
19	Hex Socket set screw	2	IS:1367 Gr.10.9
20	Hex thin nut	2	IS:1367 Gr.8.8
21	Copper washer	2	IS:1367 Gr.8.8
22	Key	1	Steel
23	Circlip	1	Carbon Steel-DIN 471

MODEL	L	L1	L2	W1	W2	H	Hb	Φd1	Φd2	SQ	ISO
OT1000	256	88	168	68.5	63.5	90	45	70.3 70.2	20.00 19.98	36.2 36.1	F10,F12,F14



## OT1500, OT2000



Item	Description	Qty	Material / Standard
1	Housing	1	C.I-IS210Gr.FG220
2	Quadrant	1	SG Iron IS:1865 500/7
3	Top cover	1	C.I-IS210Gr.FG220
4	End cover front	1	C.I-IS210Gr.FG220
5	End cover rear	1	C.I-IS210Gr.FG220
6	Worm shaft	1	BS:970 080M40(EN-8)
7	Indicator	1	Aluminium
8	Hex Head screws	3	IS:1367 Gr.8.8
9	Hex Head screws	14	IS:1367 Gr.8.8
10	Oil seal	1	Nitrile rubber
11	Thrust washer	2	Stainless steel - 316
12	Taper roller bearing	2	Stainless steel - 316

Item	Description	Qty	Material / Standard
13	O Ring-Rear cover	2	Nitrile rubber - 70 Shore
14	O Ring-Quadrant	1	Nitrile rubber - 70 Shore
15	O Ring-Top cover	1	Nitrile rubber - 70 Shore
16	Spring Washer	14	Carbon Steel
17	Plain washer	3	Carbon steel
18	Indicator-Gasket	1	Nitrile rubber - 70 Shore
19	Hex Socket set screw	2	IS:1367 Gr.10.9
20	Hex thin nut	2	IS:1367 Gr.8.8
21	Copper washer	2	IS:1367 Gr.8.8
22	Key	1	Steel
23	Circlip	1	Carbon Steel-DIN 471

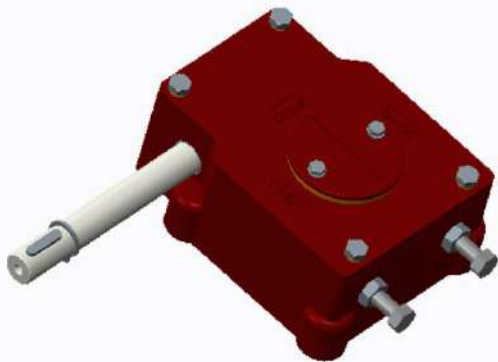
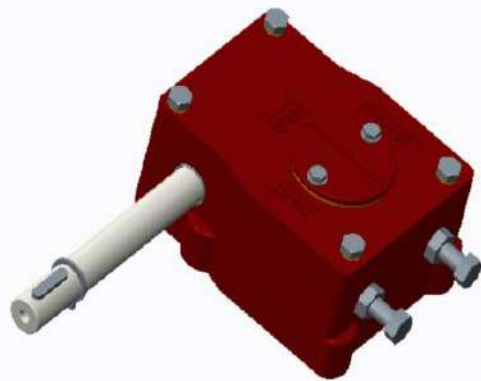
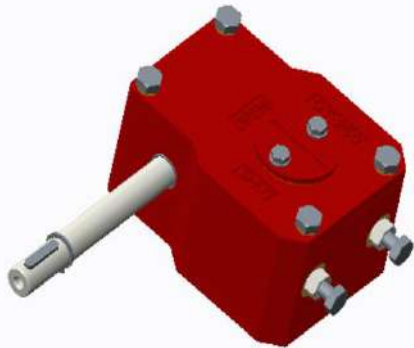
MODEL	L	L1	L2	W1	W2	H	Hb	Φd1	Φd2	SQ	ISO
OT1500	311	104.6	206	85	67.5	102	50	80.2	23.90	36.2	F10,F12,F14
								80.1	23.84	36.1	
OT2000	309	119	220	96.5	75	105	50	80.2	23.90	46.2	F10,F12,F14
								80.1	23.84	46.1	



**OHMTECH GEARS PVT LTD**

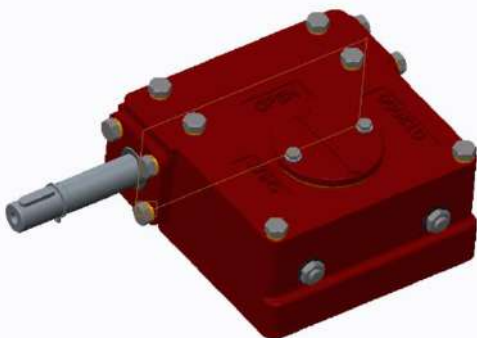
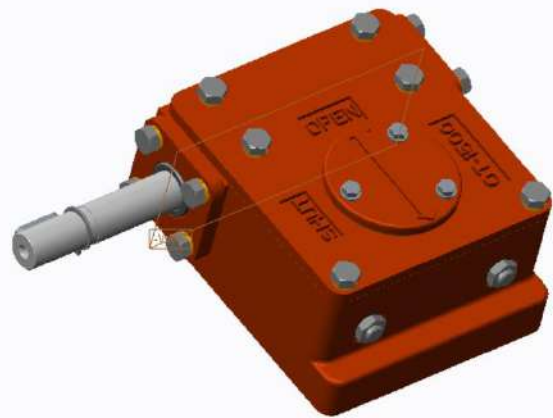
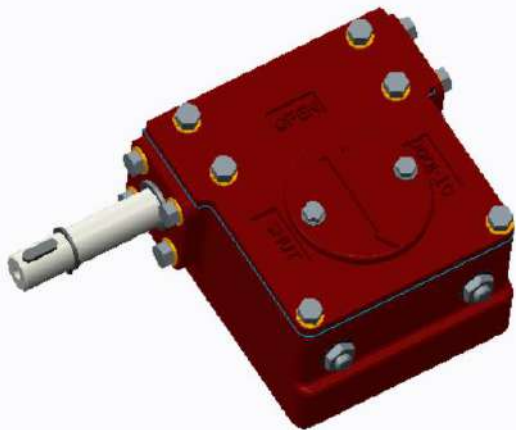
# Quarter turn gear boxes

**OT250, OT450, OT500**





**OT1000, OT1500, OT2000**





**TECHNICAL DATA**

Model	Gear ratio	Rated output torque	Mechanical advantage	Rated input torque	Turns to close	Bore SQ (max.)	Stem bore depth (max.)	Mounting base ISO 5211	Unit weight
		Nm		Nm		mm	mm		kg
OT 250	30	250	8	31.25	7	14	56	F05, F07	2
OT 450	32	450	10	45	8	22	60	F07,F10	3.2
OT 500	40	500	11	45.45	10	27	64	F10, F12	4.2
OT 1000	40	1000	14.7	68	10	36	84	F10,F12,F14	8.6
OM 1500	44	1500	13.6	110	11.0	36	91	F12,F14,F16	15
OM 2000	48	2000	14.8	135	12.0	46	91	F12,F14,F16	17

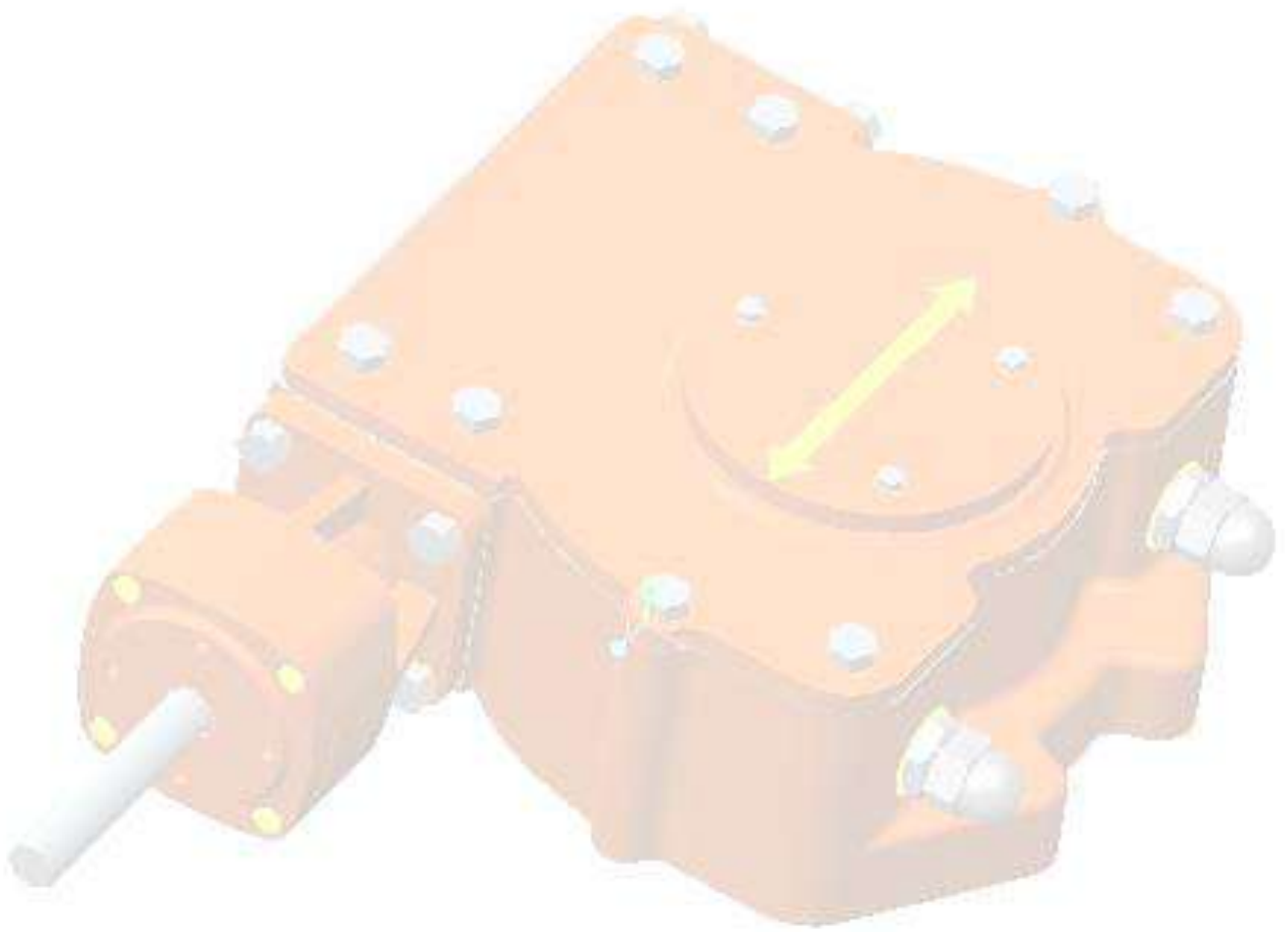


Registered Office & Factory:

Email - [Omechengineers59@gmail.com](mailto:Omechengineers59@gmail.com)

Mobile - +919944707979Omechcat - Rev.228-09-2018







# **OHMTECH GEARS PVT LTD**

## **Quarter turn gear boxes**

# **Redefining reliability with performance.....**

OM series gearboxes are rugged & suitable for general industrial applications in Oil & gas, chemical, power, HVAC and many more applications.

**OM Gearboxes are intended for the operation of Quarter turn Ball, Plug & Butterfly valves. High grade SG Iron body with alloy steel worm shaft provides reliable performance for tough & arduous valve application.**

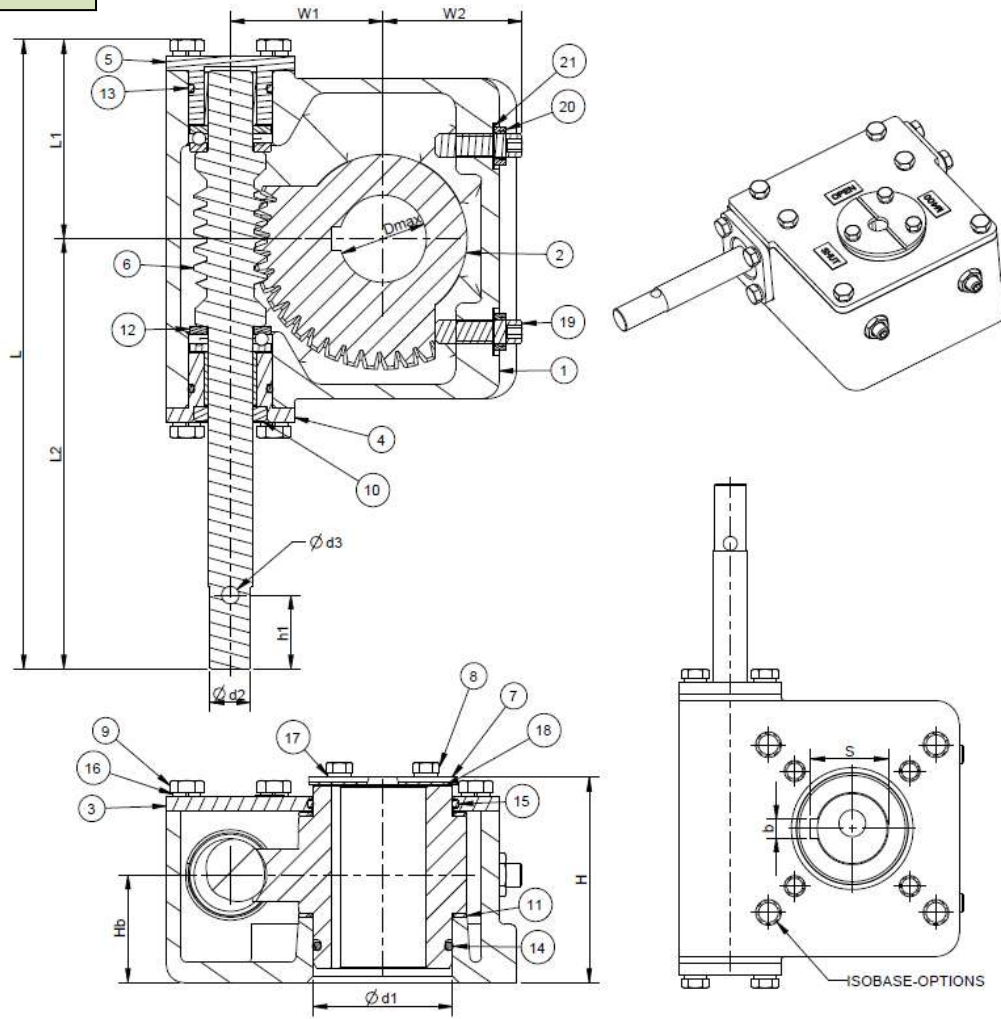
**The design is suitable for accommodating several accessories such as padlock devices, limit switches, positioners & electrical actuators**

### **Features.....**

- ❖ **Rated torque 400 Nm to 50000 Nm**
- ❖ **Temperature range -20 to +80 deg C**
- ❖ **Optimally selected gear Ratios & MA**
- ❖ **Mounting base to ISO 5211**
- ❖ **One piece worm shaft**
- ❖ **Self locking with Ground teeth profiles**
- ❖ **Taper roller bearings**
- ❖ **Sealed to IP67**
- ❖ **Travel stops with +/-5 deg overtravel**
- ❖ **Factory lubricated & maintenance free**
- ❖ **Planetary reduction for compactness**



**OM 400**



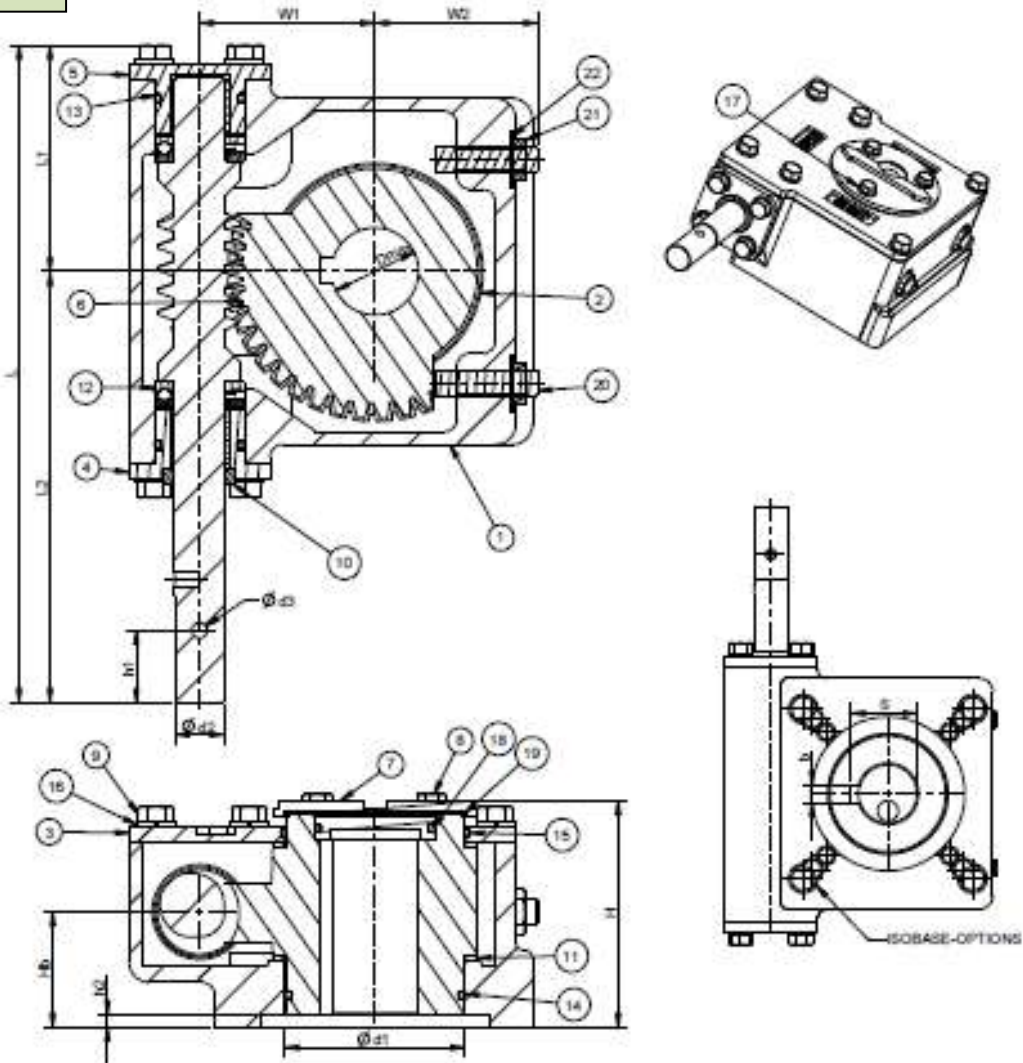
Item	Description	Qty	Material / Standard
1	Housing	1	SG Iron IS:1865 400/15
2	Quadrant	1	SG Iron IS:1865 500/7
3	Top cover	1	SG Iron IS:1865 400/15
4	End cover front	1	SG Iron IS:1865 400/15
5	End cover rear	1	SG Iron IS:1865 400/15
6	Worm shaft	1	BS:970 709M40 COND.R
7	Indicator	1	Carbon Steel
8	Hex Head screws	3	IS:1367 Gr.8.8
9	Hex Head screws	14	IS:1367 Gr.8.8
10	Oil seal	1	Nitrile rubber
11	Thrust washer	2	Stainless steel - 316

Item	Description	Qty	Material / Standard
12	Thrust bearing	2	Stainless steel - 316
13	O Ring-Rear cover	2	Nitrile rubber - 70 Shore
14	O Ring-Quadrant	1	Nitrile rubber - 70 Shore
15	O Ring-Top cover	1	Nitrile rubber - 70 Shore
16	Spring Washer	14	Carbon Steel
17	Plain washer	3	Carbon steel
18	Indicator-Gasket	1	Nitrile rubber - 70 Shore
19	Hex Socket set screw	2	IS:1367 Gr.10.9
20	Hex thin nut	2	IS:1367 Gr.8.8
21	Copper washer	2	IS:1367 Gr.8.8

MODEL	L	L1	L2	W1	W2	H	Hb	ØDmax	S <sup>+0.2</sup>	b	Ød1	Ød2	h1	Ød3	ISO
M400	216.5	68.5	148	52.5	48	70.6	37	30	33.3	8.1 8.04	48.2 48.1	14.03 14.01	25.4	6	F07,F10



## OM 900



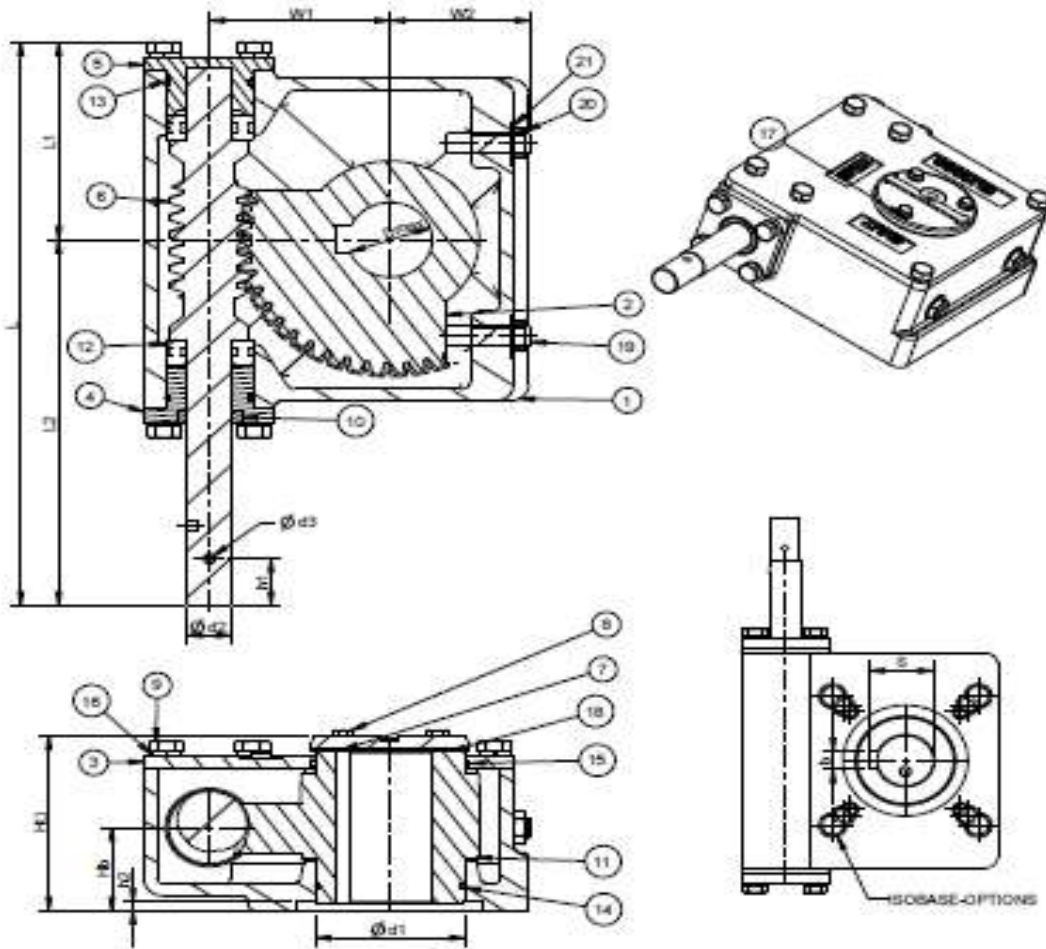
Item	Description	Qty	Material / Standard
1	Housing	1	SG Iron IS:1865 400/15
2	Quadrant	1	SG Iron IS:1865 500/7
3	Top cover	1	SG Iron IS:1865 400/15
4	End cover front	1	SG Iron IS:1865 400/15
5	End cover rear	1	SG Iron IS:1865 400/15
6	Worm shaft	1	BS:970 709M40 COND.R
7	Indicator	1	Aluminium
8	Hex Head screws	3	IS:1367 Gr.8.8
9	Hex Head screws	14	IS:1367 Gr.8.8
10	Oil seal	1	Nitrile rubber
11	Thrust washer	2	Stainless steel - 316

Item	Description	Qty	Material / Standard
12	Thrust bearing	2	Stainless steel - 316
13	O Ring-Rear cover	2	Nitrile rubber - 70 Shore
14	O Ring-Quadrant	1	Nitrile rubber - 70 Shore
15	O Ring-Top cover	1	Nitrile rubber - 70 Shore
16	Spring Washer	14	Carbon Steel
17	Plain washer	3	Carbon steel
18	O Ring-Indicator	1	Nitrile rubber - 70 Shore
19	Indicator-Gasket	1	Nitrile rubber - 70 Shore
20	Hex Socket set screw	2	IS:1367 Gr.10.9
21	Hex thin nut	2	IS:1367 Gr.8.8
22	Copper washer	2	IS:1367 Gr.8.8

MODEL	L	L1	L2	W1	W2	H	Hb	ΦDmax	S <sup>+0.2</sup>	b	Φd1	h1	Φd2	h2	Φd3	ISO
OM900	256	88	168	68.5	63.5	88	45	45	48.8	14.12 14.05	70.3 70.2	28	19.03 19.01	5	6	F10,F12,F14



## OM 1500 & OM 2000



Item	Description	Qty	Material / Standard
1	Housing	1	SG Iron IS:1865 400/15
2	Quadrant	1	SG Iron IS:1865 500/7
3	Top cover	1	SG Iron IS:1865 400/15
4	End cover front	1	SG Iron IS:1865 400/15
5	End cover rear	1	SG Iron IS:1865 400/15
6	Worm shaft	1	BS:970 709M40 COND.R
7	Indicator	1	Aluminium
8	Hex Head screws	3	IS:1367 Gr.8.8
9	Hex Head screws	14	IS:1367 Gr.8.8
10	Oil seal	1	Nitrile rubber
11	Thrust washer	2	Stainless steel - 316

Item	Description	Qty	Material / Standard
12	Taper roller bearing	2	Stainless steel - 316
13	O Ring-Rear cover	2	Nitrile rubber - 70 Shore
14	O Ring-Quadrant	1	Nitrile rubber - 70 Shore
15	O Ring-Top cover	1	Nitrile rubber - 70 Shore
16	Spring Washer	14	Carbon Steel
17	Plain washer	3	Carbon steel
18	Indicator-Gasket	1	Nitrile rubber - 70 Shore
19	Hex Socket set screw	2	IS:1367 Gr.10.9
20	Hex thin nut	2	IS:1367 Gr.8.8
21	Copper washer	2	IS:1367 Gr.8.8

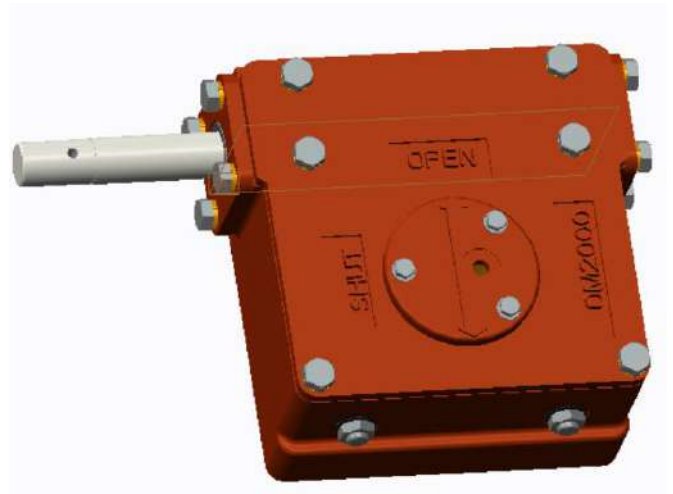
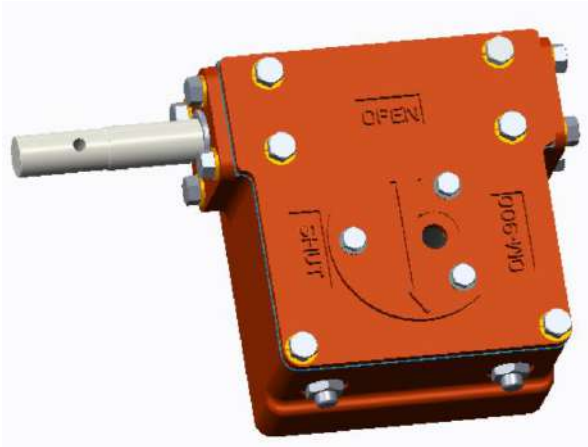
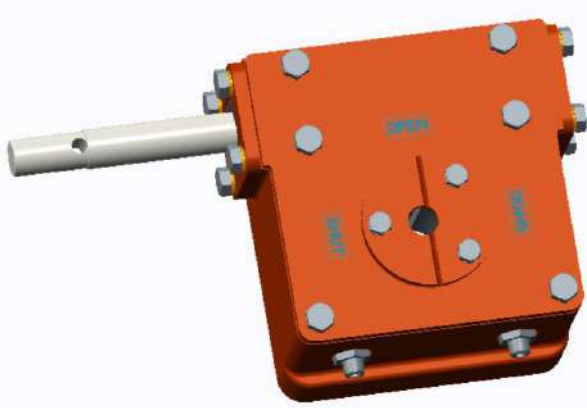
MODEL	L	L1	L2	W1	W2	H	Hb	ØDmax	S <sup>+0.2</sup>	b	Ød1	h1	Ød2	h2	Ød3	ISO
OM1500	310.6	104.6	206	85	67.5	102	50	50	53.8	14.12 14.05	80.2 80.1	28	23.90 23.84	5	6	F12,F14,F16
OM2000	309	119	220	96.5	75	105	50	50	53.8	14.12 14.05	80.2 80.1	28	23.90 23.84	5	6	F12,F14,F16



**OHMTECH GEARS PVT LTD**

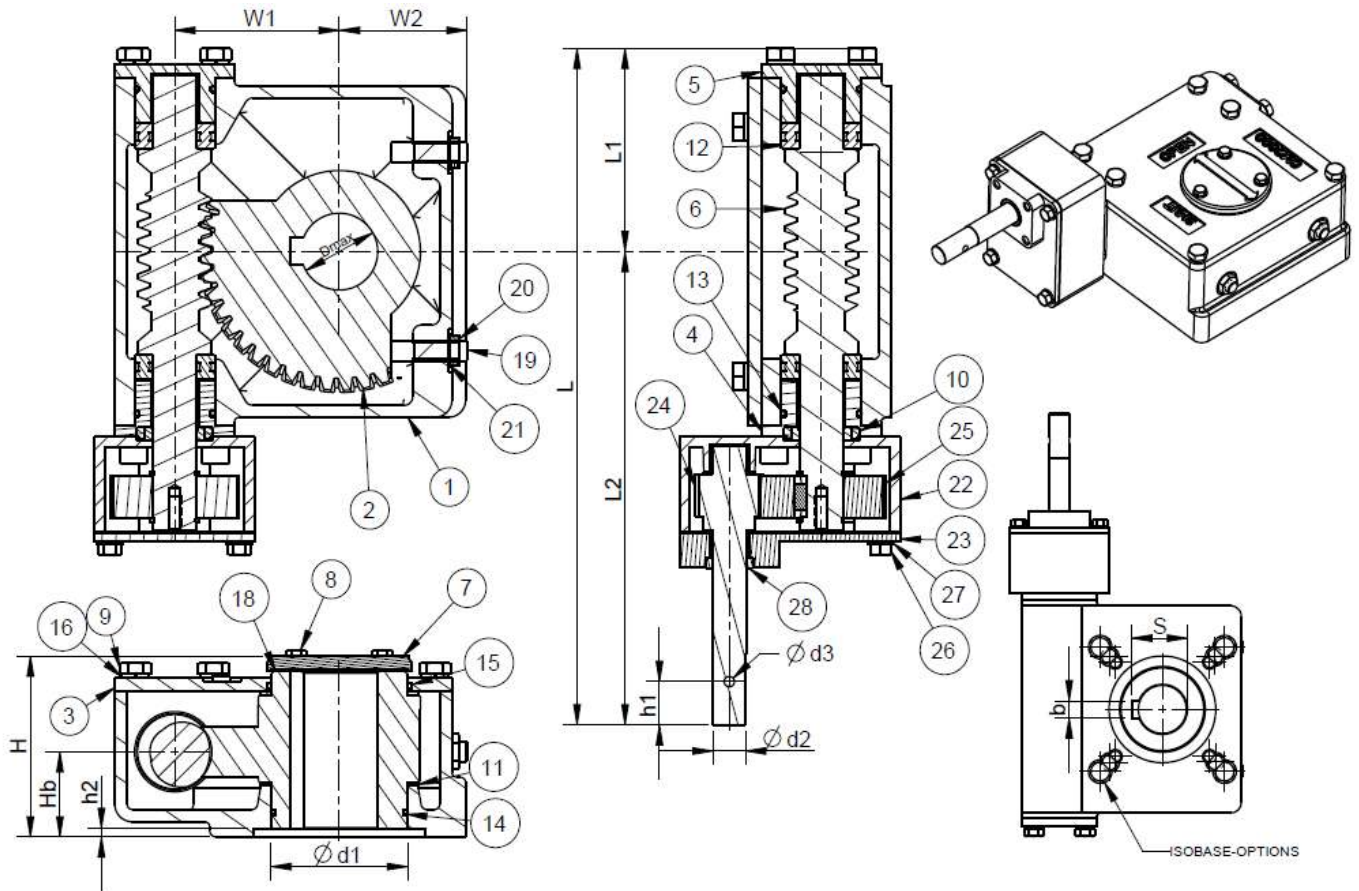
**Quarter turn gear boxes**

**OM 400, OM900,1500 & OM 2000**





## OM2000S2



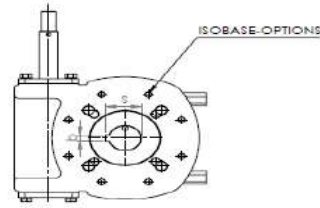
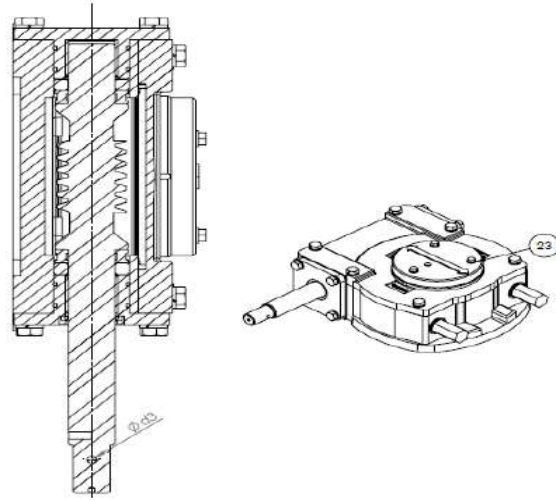
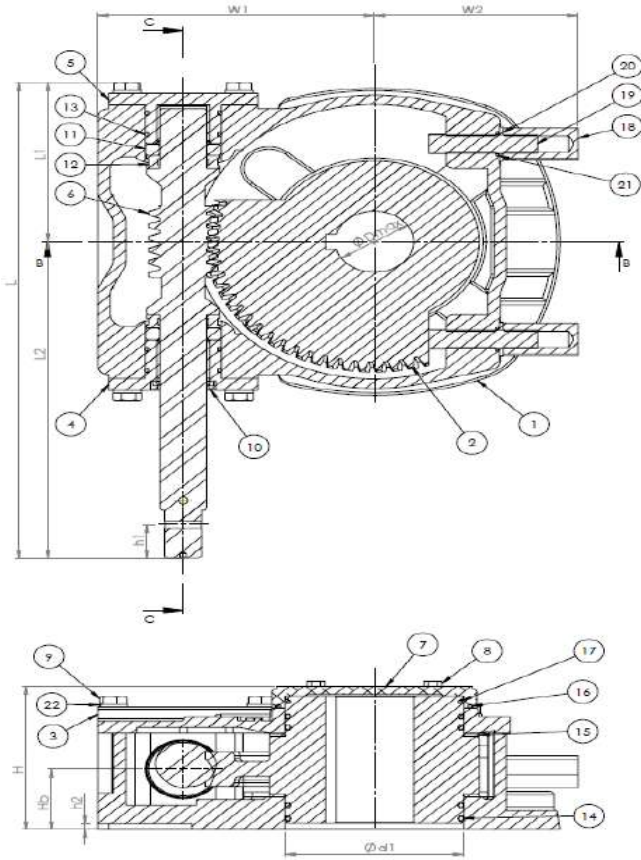
Item	Description	Qty	Material / Standard
1	Housing	1	SG Iron IS:1865 400/15
2	Quadrant	1	SG Iron IS:1865 500/7
3	Top cover	1	SG Iron IS:1865 400/15
4	End cover front	1	SG Iron IS:1865 400/15
5	End cover rear	1	SG Iron IS:1865 400/15
6	Worm shaft	1	BS:970 709M40 COND.R
7	Indicator	1	Aluminium
8	Hex Head screws	3	IS:1367 Gr.8.8
9	Hex Head screws	14	IS:1367 Gr.8.8
10	Oil seal	1	Nitrile rubber
11	Thrust washer	2	Stainless steel - 316
12	Taper roller bearing	2	Stainless steel - 316
13	O Ring-Rear cover	2	Nitrile rubber - 70 Shore
14	O Ring-Quadrant	1	Nitrile rubber - 70 Shore

Item	Description	Qty	Material / Standard
15	O Ring-Top cover	1	Nitrile rubber - 70 Shore
16	Spring Washer	14	Carbon Steel
17	Plain washer	3	Carbon steel
18	Indicator-Gasket	1	Nitrile rubber - 70 Shore
19	Hex Socket set screw	2	IS:1367 Gr.10.9
20	Hex thin nut	2	IS:1367 Gr.8.8
21	Copper washer	2	IS:1367 Gr.8.8
22	Spur box	1	SG Iron IS:1865 400/15
23	Spur cover	1	SG Iron IS:1865 400/15
24	Pinion	1	BS:970 709M40 COND.R
25	Spur gear	1	BS:970 709M40 COND.R
26	Hex Head screws	4	IS:1367 Gr.8.8
27	Spring Washer	4	IS:1367 Gr.8.8
28	Oil seal	1	Nitrile rubber

MODEL	L	L1	L2	W1	W2	H	Hb	ØDmax	S <sup>+0.2</sup>	b	Ød1	h1	Ød2	h2	Ød3	ISO
M2000S2	397.5	119	277.5	96.5	75	105	50	50	53.8	14.12 14.05	80.2 80.1	25.4	19.03 19.01	5	6	F12,F14,F16



## OM4000



Item	Description	Qty	Material / Standard
1	Housing	1	SG Iron IS:1865 400/15
2	Quadrant	1	SG Iron IS:1865 500/7
3	Top cover	1	SG Iron IS:1865 400/15
4	End cover front	1	SG Iron IS:1865 400/15
5	End cover rear	1	SG Iron IS:1865 400/15
6	Worm shaft	1	BS:970 709M40 COND.R
7	Indicator	1	Aluminium
8	Hex Head screws	3	IS:1367 Gr.8.8
9	Hex Head screws	12	IS:1367 Gr.8.8
10	Oil seal	1	Nitrile rubber
11	Spacer	2	SS
12	Taper roller bearing	2	Stainless steel - 316
13	O Ring-Rear cover	2	Nitrile rubber - 70 Shore
14	O Ring-Quadrant	4	Nitrile rubber - 70 Shore

Item	Description	Qty	Material / Standard
15	Thrust washer	2	Stainless steel – 316
16	O Ring-Indicator	1	Nitrile rubber - 70 Shore
17	O Ring-Quadrant	1	Nitrile rubber - 70 Shore
18	Stop nut	2	Carbon steel-DIN6334
19	Hex Socket set screw	2	IS:1367 Gr.10.9
20	Copper washer	2	IS:1367 Gr.8.8
21	O-Ring	2	Nitrile rubber - 70 Shore
22	Spring Washer	12	Carbon Steel
23	Plain washer	3	Carbon steel

MODEL	L	L1	L2	W1	W2	H	Hb	Φdmax	s <sup>+0.2</sup>	b	Φd1	h1	Φd2	h2	Φd3	ISO
OM4000	395.5	131.5	264	178	131	119.5	50.5	75	80.4	22.15 22.07	115.2 115.1	28	23.90 23.84	5	6	F14,F16,F20

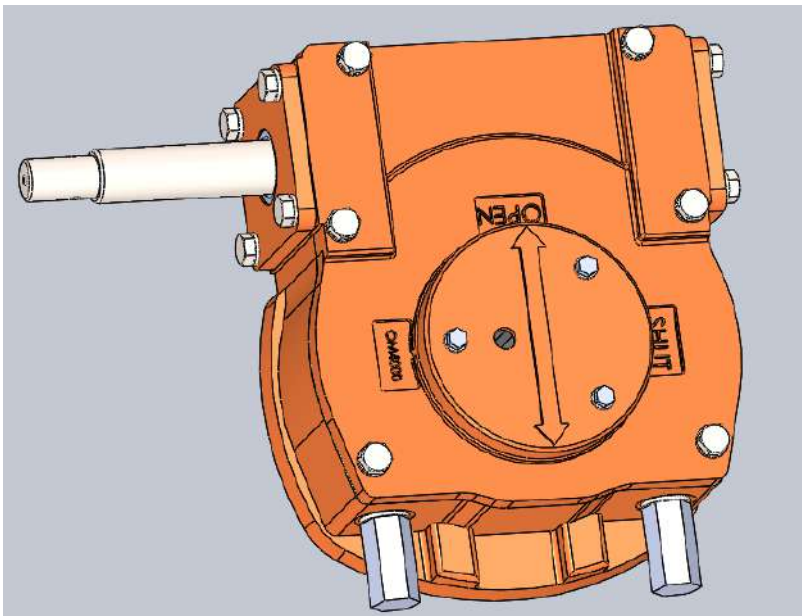
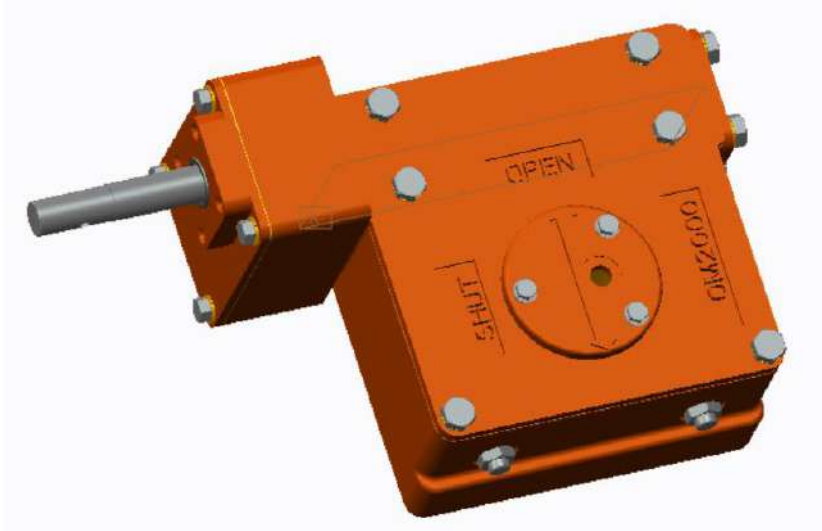




**OHMTECH GEARS PVT LTD**

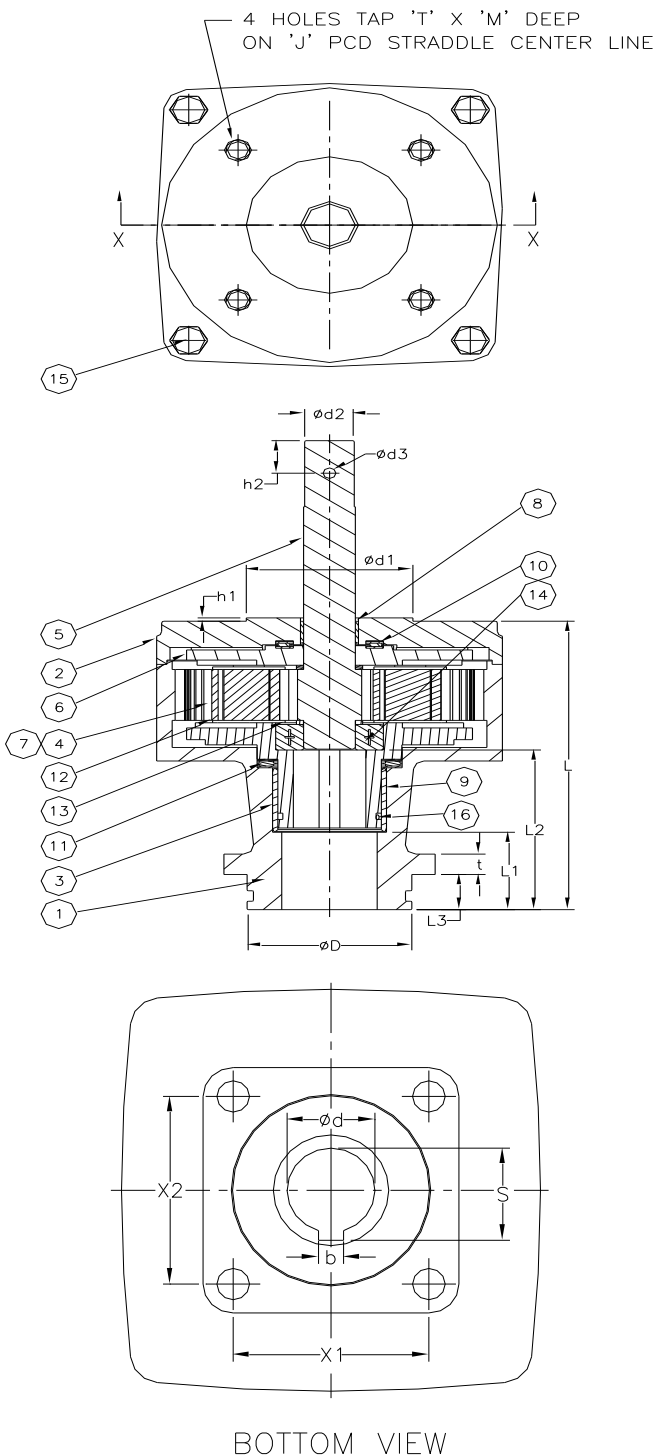
**Quarter turn gear boxes**

**OM2000S2, OM4000**

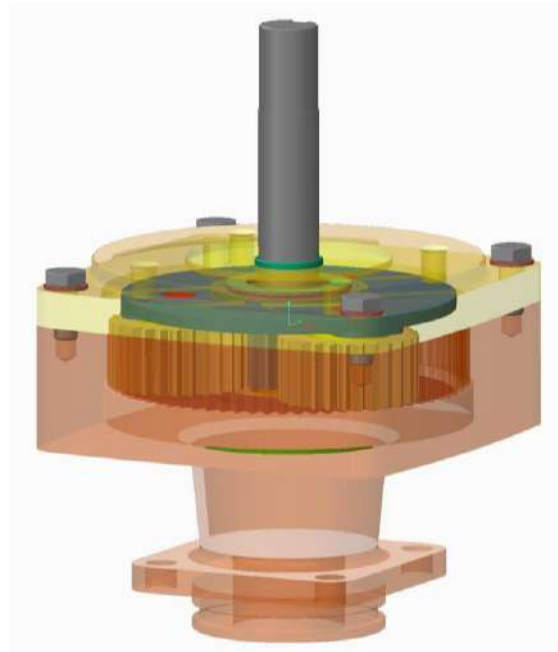




## PLANETARY ASSEMBLY



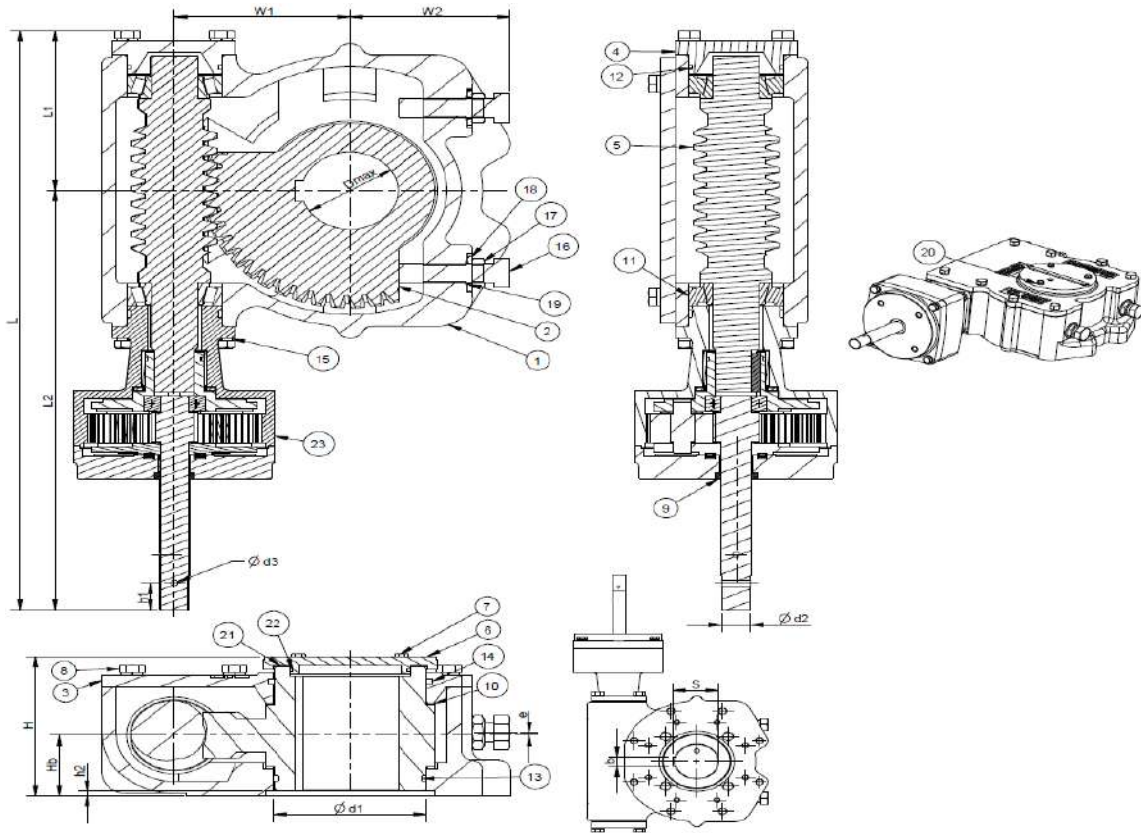
Item	Description	Qty	Material / Standard
1	Housing	1	SG Iron IS:1865 400/15
2	Quadrant	1	SG Iron IS:1865 500/7
3	Driver	1	SG Iron IS:1865 400/15
4	Planetary gear	3	BS:970 709M40 COND.R
5	Sun gear	1	BS:970 709M40 COND.R
6	Top plate	1	SG Iron IS:1865 400/15
7	Pin	3	IS:1367 Gr.8.8
8	Top cover-bush	1	IS:1367 Gr.8.8
9	Bottom housing bush	1	Carbon Steel
10	Needle roller bearing	1	AXK2542/AS2542
11	Needle roller bearing	1	AXK4060/AS4060
12	Pinion washer	6	SS
13	Bottom washer	2	SS
14	Driver bearing	1	SKF
15	Hex Head Screw	4	Carbon steel
16	O-Ring	1	Nitrile Rubber



MODEL	L	L1	L2	L3	$\Phi D$	$\Phi d1$	h1	$\Phi d2$	h2	$\Phi d3$	$\Phi d$	$s^{+0.2}$	b	X1	X2	T	M	J	ISO Options
P4	144	45	87	20	71.8	55.1	3.0	20.0	25.4	6	34.90	28.55	8.05	78	78	M8	10	70	F07
					71.6	55.0	3.1				34.80	28.50	8.00						
P5	170	48	94	21	79.5	85.1	3.0	24.0	25.4	6	35.05	38.50	10.10	78	78	M12	12	125	F12
					79.4	85.0	3.1				35.00	38.30	10.05						
P6	173	40	94	20	89.8	85.1	3.0	24.0	25.4	6	40.05	43.50	12.05	99	99	M12	12	125	F12
					89.7	85.0	3.1				40.00	43.30	12.00						



**OM6400P4 OM8000P5 OM12000P6**



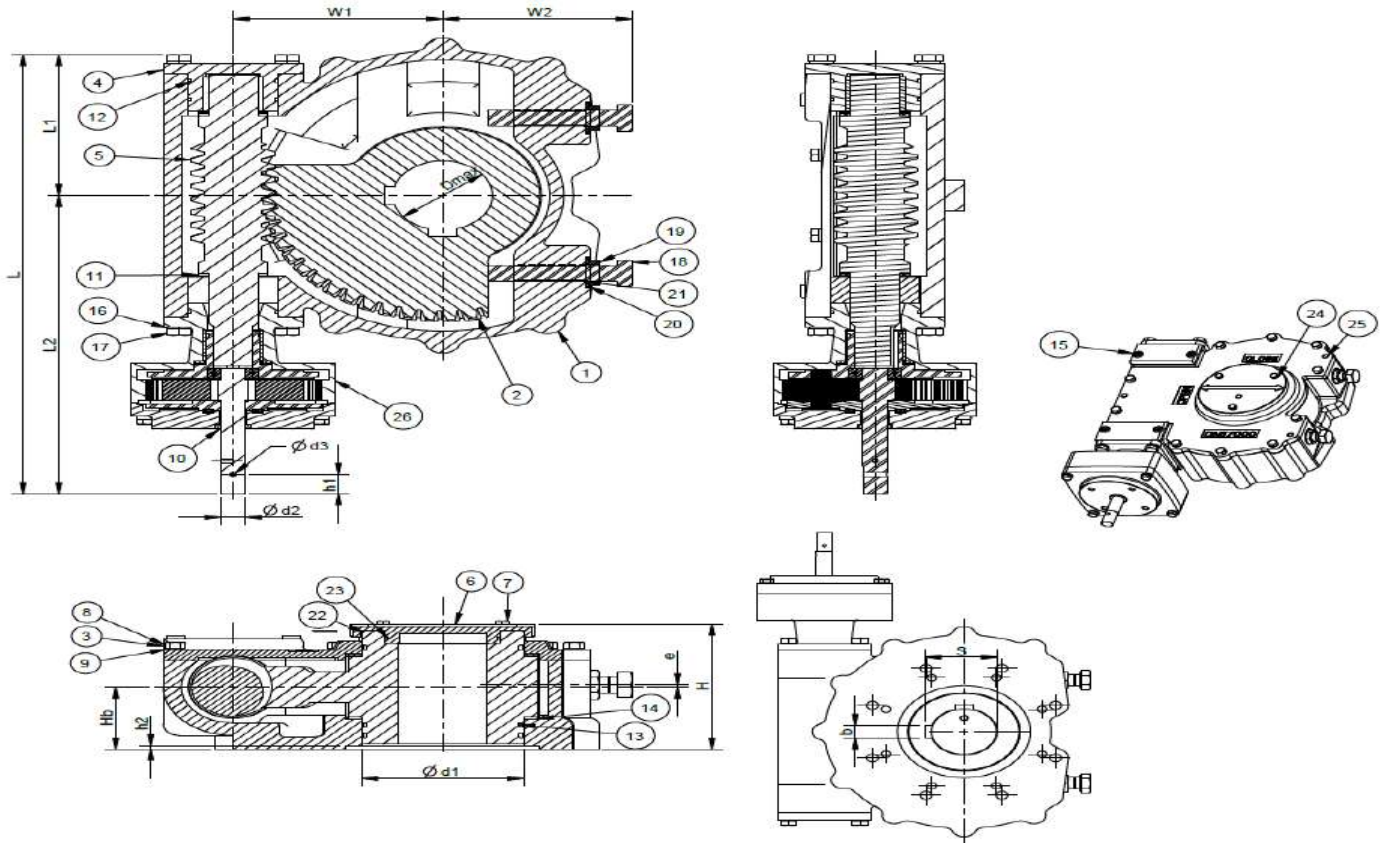
Item	Description	Qty	Material / Standard
1	Housing	1	SG Iron IS:1865 400/15
2	Quadrant	1	SG Iron IS:1865 500/7
3	Top cover	1	SG Iron IS:1865 400/15
4	End cover rear	1	SG Iron IS:1865 400/15
5	Worm shaft	1	BS:970 709M40 COND.R
6	Indicator	1	Aluminium
7	Hex Head screws	3	IS:1367 Gr.8.8
8	Hex Head screws	14	IS:1367 Gr.8.8
9	Oil seal	1	Nitrile rubber
10	Thrust washer	2	Stainless steel - 316
11	Taper roller bearing	2	Stainless steel - 316
12	O Ring-Rear cover	2	Nitrile rubber - 70 Shore

Item	Description	Qty	Material / Standard
13	O Ring-Quadrant	1	Nitrile rubber - 70 Shore
14	O Ring-Top cover	1	Nitrile rubber - 70 Shore
15	Spring Washer	14	Carbon Steel
16	Hex Head Bolt	2	IS:1367 Gr.8.8
17	Hex thin nut	2	IS:1367 Gr.8.8
18	Copper washer	2	IS:1367 Gr.8.8
19	O Ring	2	Nitrile rubber - 70 Shore
20	Plain washer	3	Carbon steel
21	Indicator-Gasket	1	Nitrile rubber - 70 Shore
22	O Ring-Indicator	2	Nitrile rubber - 70 Shore
23	PG-Assembly	1	SG Iron IS:1865 400/15

MODEL	L	L1	L2	W1	W2	H	Hb	e	ΦDmax	S <sup>+0.2</sup>	b	Φd1	h1	Φd2	h2	Φd3	ISO
M6400P4	512	151.5	360.5	137.5	123	141	61	3	84	89.4	22.15 22.07	127.2 127.1	28	20.00 19.98	5	6	F16,F20,F25
M8000P5	603.5	166.5	437	146	133	145	63	3	90	95.4	22.15 22.07	127.2 127.1	28	23.90 23.84	5	6	F16,F20,F25
M12000P6	637	204	437	184	173	169.5	75	5	108	114.4	28.15 28.07	155.7 155.6	28	23.90 23.84	5	6	F25,F30



## OM12000C, OM17000



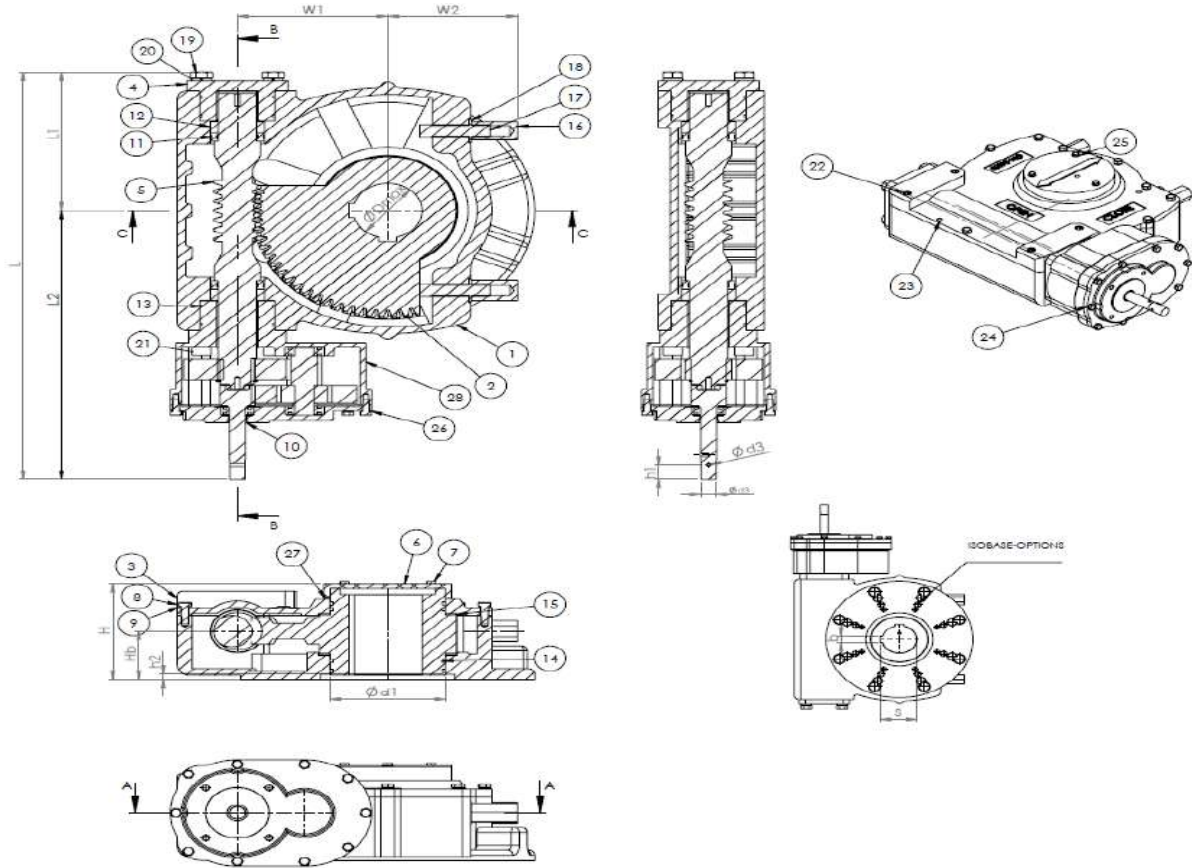
Item	Description	Qty	Material / Standard
1	Housing	1	SG Iron IS:1865 400/15
2	Quadrant	1	SG Iron IS:1865 500/7
3	Top cover	1	SG Iron IS:1865 400/15
4	End cover rear	1	SG Iron IS:1865 400/15
5	Worm shaft	1	BS:970 709M40 COND.R
6	Indicator	1	Aluminium
7	Hex Head screws	3	IS:1367 Gr.8.8
8	Hex Head screws	10	IS:1367 Gr.8.8
9	Spring Washer	10	Carbon Steel
10	Oil seal	1	Nitrile rubber
11	Taper roller bearing	2	Stainless steel - 316
12	O Ring-Rear cover	3	Nitrile rubber - 70 Shore
13	O Ring-Quadrant	3	Nitrile rubber - 70 Shore

Item	Description	Qty	Material / Standard
14	Thrust washer	2	Stainless steel – 316
15	Socket head screw	4	ISO-4762
16	Hex Head screws	8	IS:1367 Gr.8.8
17	Hex Head screws	8	IS:1367 Gr.8.8
18	Hex Head Bolt	2	IS:1367 Gr.8.8
19	Hex thin nut	2	IS:1367 Gr.8.8
20	Copper washer	2	IS:1367 Gr.8.8
21	O Ring	2	Nitrile rubber - 70 Shore
22	Indicator-Gasket	1	Nitrile rubber - 70 Shore
23	O Ring-Indicator	2	Nitrile rubber - 70 Shore
24	Plain washer	3	Carbon Steel
25	Dowel	4	SS
26	PG-Assembly	1	SG Iron IS:1865 400/15

MODEL	L	L1	L2	W1	W2	H	Hb	e	ØDmax	S <sup>+0.2</sup>	b	Ød1	h1	Ød2	h2	Ød3	ISO
OM12000C	589	183	406	184	175.5	152	73	7	108	114.4	28.15 28.07	155.7 155.6	28	23.90 23.84	5	6	F25,F30
OM17000	635	203.5	431.5	210	180	181	90	3	113	120.4	28.15 28.07	168.5 168.4	28	23.90 23.84	5	6	F25,F30



**OM 24000**



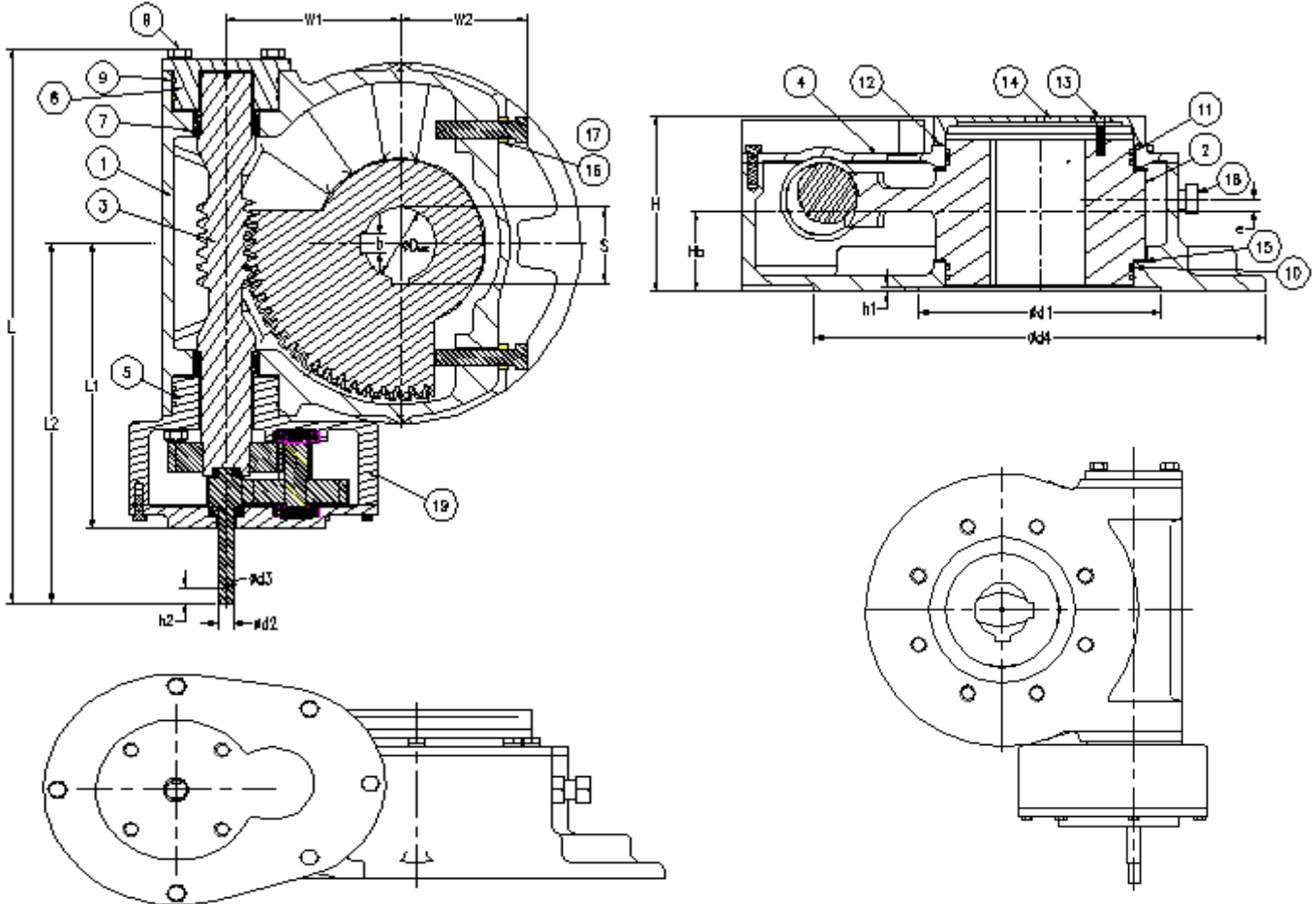
Item	Description	Qty	Material / Standard
1	Housing	1	SG Iron IS:1865 400/15
2	Quadrant	1	SG Iron IS:1865 500/7
3	Top cover	1	SG Iron IS:1865 400/15
4	End cover rear	1	SG Iron IS:1865 400/15
5	Worm shaft	1	BS:970 709M40 COND.R
6	Indicator	1	Carbon Steel
7	Hex Head screws	3	IS:1367 Gr.8.8
8	Hex Head screws	8	IS:1367 Gr.8.8
9	Spring Washer	8	Carbon Steel
10	Oil seal	1	Nitrile rubber
11	Taper roller bearing	2	Stainless steel - 316
12	Spacer	2	SS
13	O Ring-Rear cover	3	Nitrile rubber - 70 Shore
14	O Ring-Quadrant	3	Nitrile rubber - 70 Shore

Item	Description	Qty	Material / Standard
15	Thrust washer	2	Stainless steel – 316
16	Stop nut	2	Carbon steel-DIN6334
17	Hex Socket set screw	8	IS:1367 Gr.10.9
18	Copper washer	2	IS:1367 Gr.8.8
19	Hex Head screws	4	IS:1367 Gr.8.8
20	Spring Washer	4	Carbon Steel
21	Socket head screw	4	ISO-4762
22	Socket head screw	4	ISO-4762
23	Dowel	4	SS
24	Hex Head screws	8	IS:1367 Gr.8.8
25	Plain washer	3	Carbon Steel
26	Spring Washer	8	Carbon Steel
27	O Ring-Indicator	1	Nitrile rubber - 70 Shore
28	Spur-Assembly	1	SG Iron IS:1865 400/15

MODEL	L	L1	L2	W1	W2	H	Hb	ΦDmax	S <sup>+0.2</sup>	b	Φd1	h1	Φd2	h2	Φd3	ISO
OM24000	806	274.5	531.5	235	203	189	95	125	132.4	32.18 32.08	181.2 181.1	28	23.90 23.84	5	6	F25,F30,F35,F40



**OM 34000 OM50000**



Item	Description	Qty	Material / Standard
1	Housing	1	SG Iron IS:1865 400/15
2	Quadrant	1	SG Iron IS:1865 500/7
3	Worm shaft	1	BS:970 79M40 (En19R)
4	Top cover	1	SG Iron IS:1865 400/5
5	End cover front	1	SG Iron IS:1865 400/15
6	End cover rear	1	SG Iron IS:1865 400/15
7	Thrust bearing	2	Stainless Steel 316
8	Hex screws	32	IS:1367 Gr.8.8
9	O-Ring	2	Nitrile rubber - 70 Shore
10	O-Ring Quadrant	1	Nitrile rubber - 70 Shore

Item	Description	Qty	Material / Standard
11	O-Ring Top cover	1	Stainless steel - 316
12	O-Ring Indicator	1	Nitrile rubber - 70 Shore
13	Indicator	1	Carbon Steel
14	Hex screw	3	Carbon steel IS:1367 Gr8.8
15	Thrust washer	2	Stainless steel
16	Washer	2	Stainless steel
17	Hex nut	2	Carbon steel IS:1364
18	Stopper screw	2	Carbon steel
19	Spur gear	1	SG Iron IS:1865 400/15

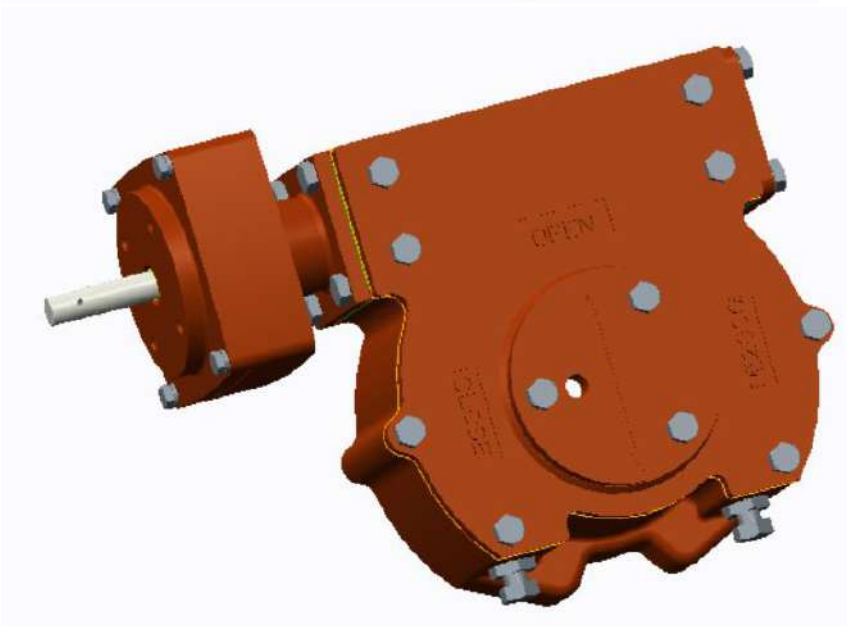
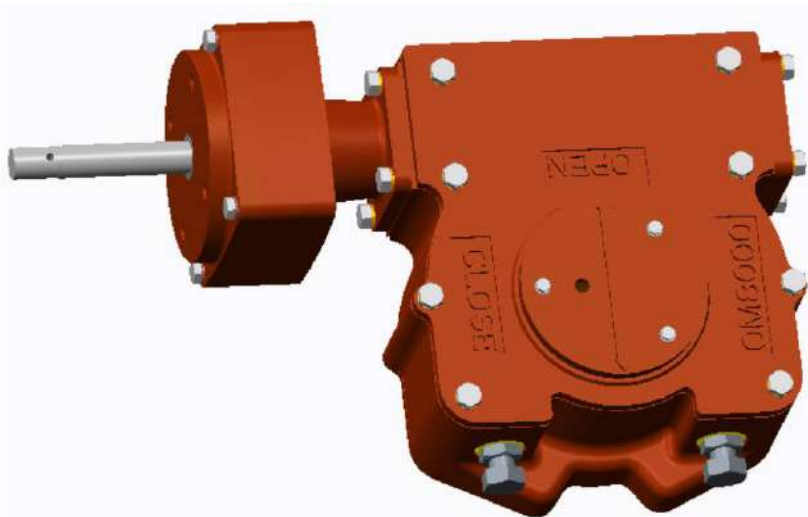
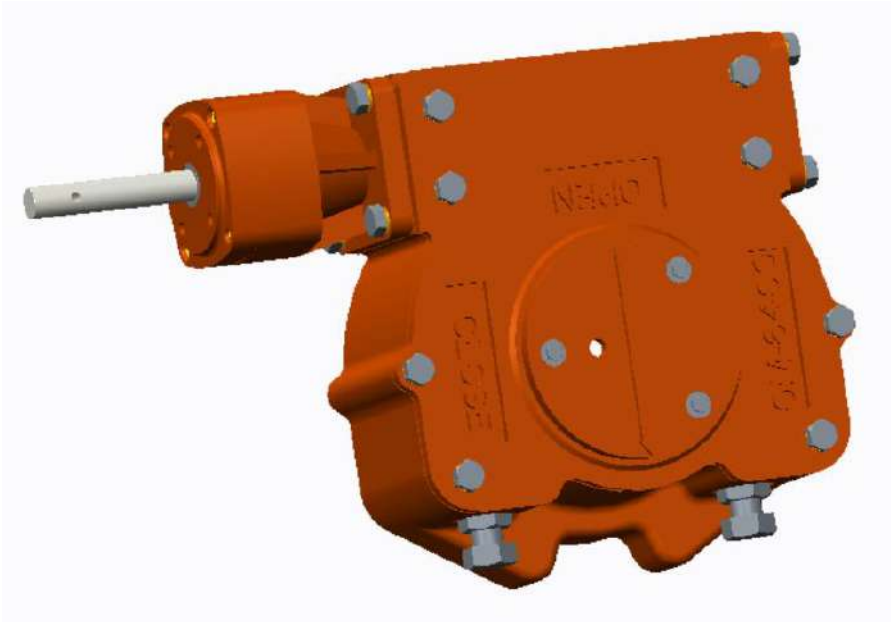
MODEL	L	L1	L2	W1	W2	H	Hb	e	Ødmax	S <sup>+0.2</sup>	b	Ød1	h1	Ød2	h2	Ød3	Ød4	ISO
OM34000	835	295	540	260	185	209	110	3	164	173.4	45.18 45.08	300	6	23.90 23.84	28	6	540	F30,F35,F40
OM50000	835	295	540	305	189	250	110	3	180	190.4	45.18 45.08	300	6	23.90 23.84	28	6	540	F30,F35,F40



**OHMTECH GEARS PVT LTD**

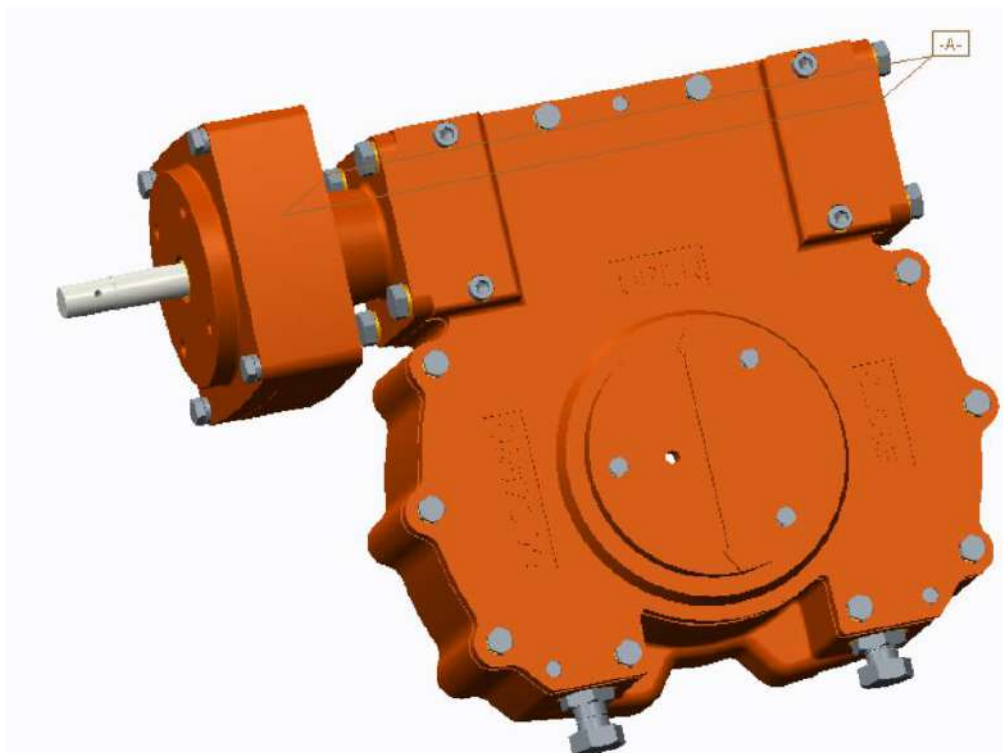
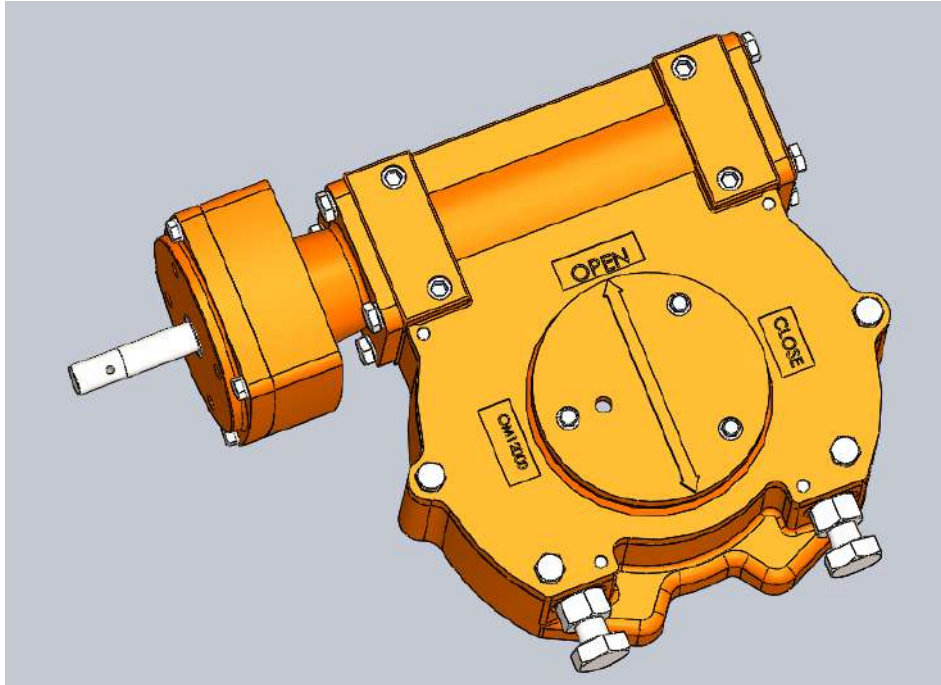
**Quarter turn gear boxes**

OM 6400P4, OM8000P5, OM12000P6





**OM12000C, OM17000**



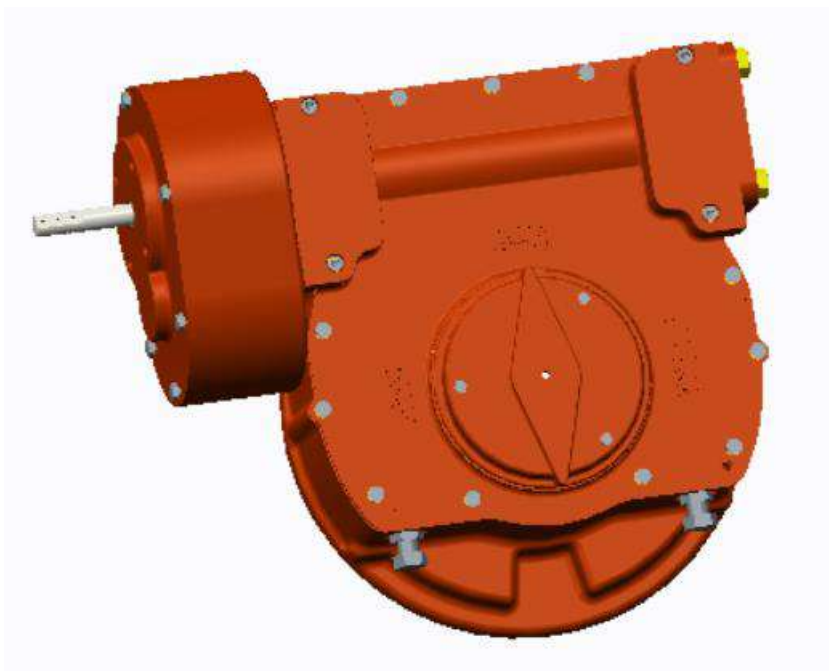
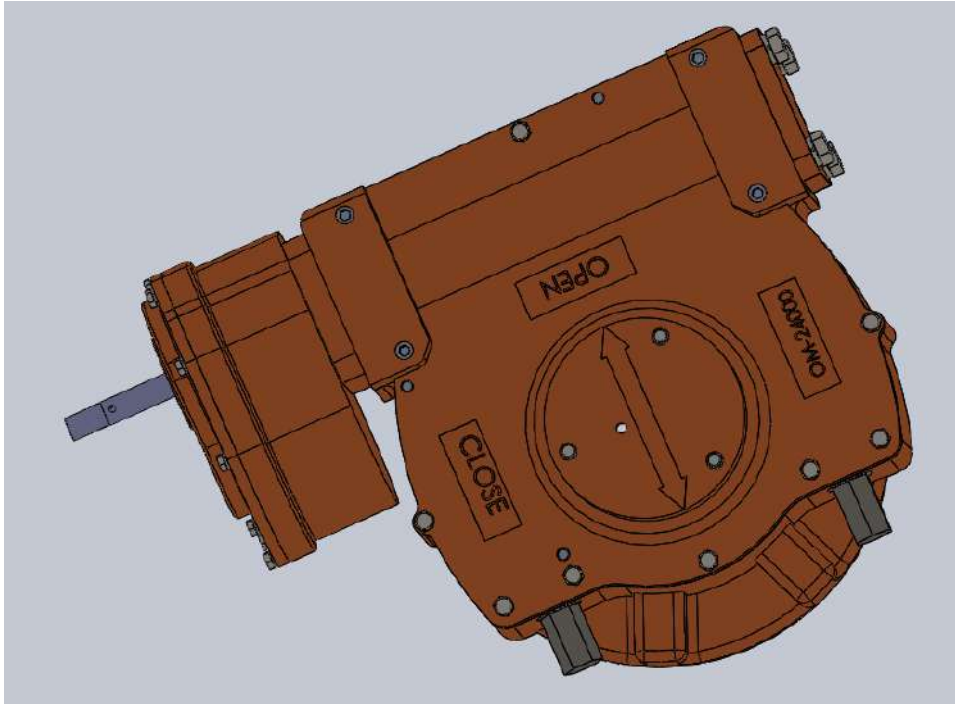




**OHMTECH GEARS PVT LTD**

**Quarter turn gear boxes**

**OM24000, OM34000**



**TECHNICAL DATA**

Model	Gear ratio	Rated output torque	Mechanical advantage	Rated input torque	Turns to close	Bore dia (max.)	Stem bore depth (max.)	Mounting base ISO 5211	Unit weight
		Nm		Nm		mm	mm		kg
OM 400	42	400	13.0	31	10.5	30	62	F07,F10	4.2
OM 900	40	900	13.3	68	10.0	45	78	F10,F12,F14	7.4
OM 1500	44	1500	13.6	110	11.0	50	91	F12,F14,F16	15
OM 2000	48	2000	14.8	135	12.0	50	91	F12,F14,F16	17.3
OM 2000S2	96	2000	26.6	75	24.0	50	91	F12,F14,F16	21.2
OM 4000	64	4000	21.7	184	16	75	106	F14,F16,F20	32
OM 4000S2	128	4000	39.2	102	32	75	106	F14,F16,F20	37
OM 4000P4	256	4000	63.5	63	64	75	106	F14,F16,F20	40
OM 6400P4	185	6400	50.0	128	46.3	84	126	F16,F20,F25	50
OM 8000P5	230	8000	65.6	122	57.5	90	130	F16,F20,F25	69
OM 12000P6	312	12000	94.0	128	78.0	108	166	F25,F30	120
OM 12000C-P6	312	12000	94.0	128	78.0	108	137	F25,F30	95
OM 17000C-P6	348	17000	105.0	162	87.0	113	165	F25,F30	145
OM 24000	387	24000	149	161	96.7	125	175	F25,F30,F35,F40	198
OM 24000	481.4	24000	186	129	120.4	125	175	F25,F30,F35,F40	200
OM 24000	714	24000	276	87	178.6	125	175	F25,F30,F35,F40	202
OM 34000	768	34000	278.0	122	192	164	176	F25,F30,F35,F40	274
OM 50000	1188	50000	396.0	126	297	180	250	F35,F40,F48	300



Registered Office &amp; Factory:

Email - [Omechengineers59@gmail.com](mailto:Omechengineers59@gmail.com)

Mobile - +919944707979 Omechcat - Rev.228-09-2018