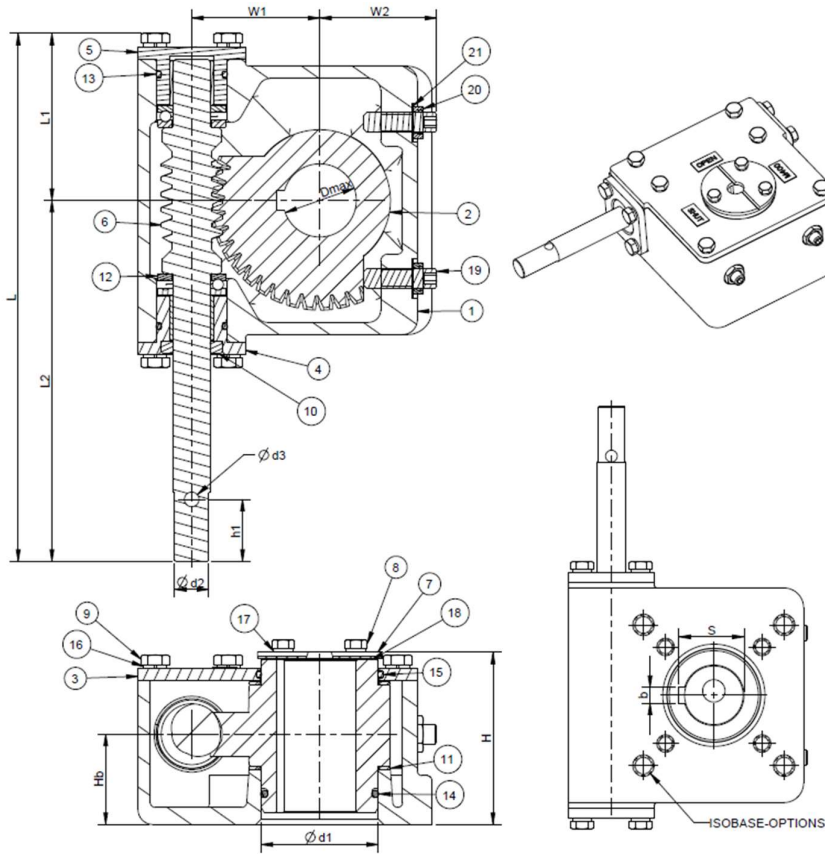


Model-OM400					
Gear ratio	42	Turns to close	10.5	Bore dia (max.)	30mm
Rated output torque	400Nm	Rated input torque	31Nm	Stem bore depth (max.)	62mm
Mechanical advantage	13	Mounting base ISO 5211	F07,F10	Unit weight	4.2Kg



MODEL	L	L1	L2	W1	W2	H	Hb	ØDmax	S ^{+0.2}	b	Ød1	Ød2	h1	Ød3	ISO
M400	216.5	68.5	148	52.5	48	70.6	37	30	33.3	8.1 8.04	48.2 48.1	14.03 14.01	25.4	6	F07,F10

Item	Description	Qty	Material / Standard
1	Housing	1	SG Iron IS:1865 400/15
2	Quadrant	1	SG Iron IS:1865 500/7
3	Top cover	1	SG Iron IS:1865 400/15
4	End cover front	1	SG Iron IS:1865 400/15
5	End cover rear	1	SG Iron IS:1865 400/15
6	Worm shaft	1	BS:970 709M40 COND.R
7	Indicator	1	Carbon Steel
8	Hex Head screws	3	IS:1367 Gr.8.8
9	Hex Head screws	14	IS:1367 Gr.8.8
10	Oil seal	1	Nitrile rubber
11	Thrust washer	2	Stainless steel - 316

Item	Description	Qty	Material / Standard
12	Thrust bearing	2	Stainless steel - 316
13	O Ring-Rear cover	2	Nitrile rubber - 70 Shore
14	O Ring-Quadrant	1	Nitrile rubber - 70 Shore
15	O Ring-Top cover	1	Nitrile rubber - 70 Shore
16	Spring Washer	14	Carbon Steel
17	Plain washer	3	Carbon steel
18	Indicator-Gasket	1	Nitrile rubber - 70 Shore
19	Hex Socket set screw	2	IS:1367 Gr.10.9
20	Hex thin nut	2	IS:1367 Gr.8.8
21	Copper washer	2	IS:1367 Gr.8.8