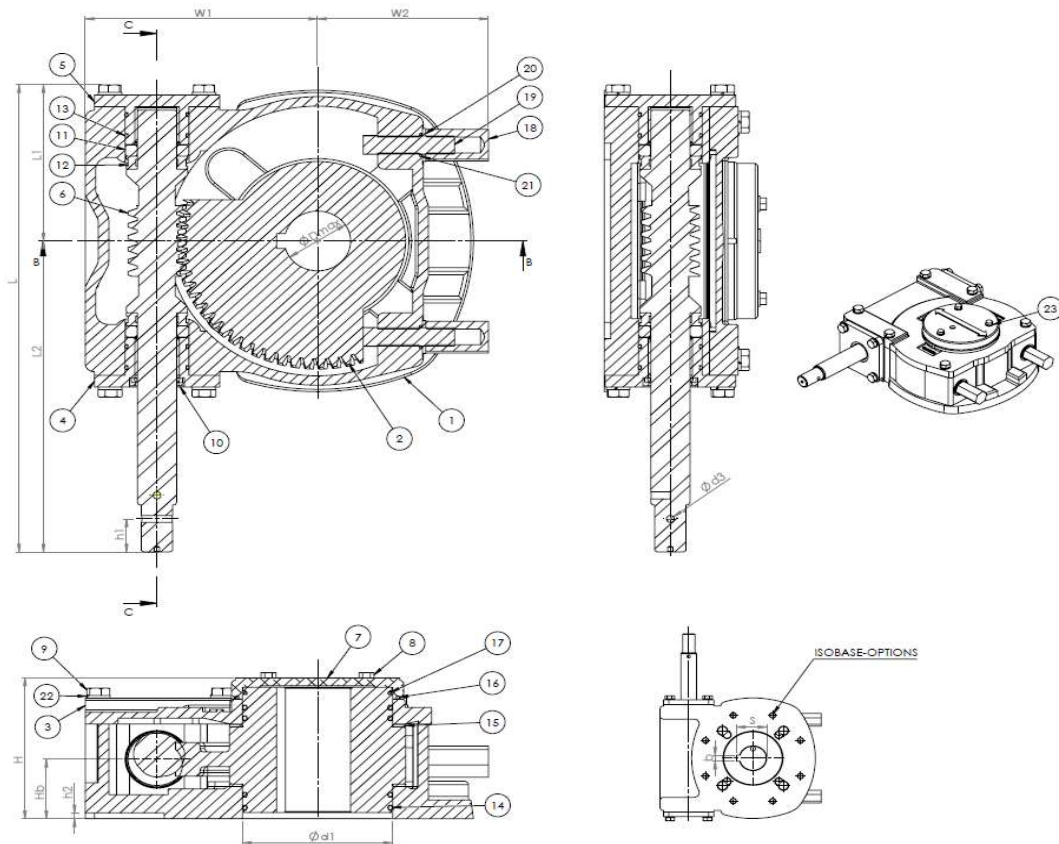


Model-OM4000					
Gear ratio	64	Turns to close	16	Bore dia (max.)	75mm
Rated output torque	4000Nm	Rated input torque	184Nm	Stem bore depth (max.)	106mm
Mechanical advantage	21.7	Mounting base	F14,F16, F20	Unit weight	32Kg



MODEL	L	L1	L2	W1	W2	H	Hb	ΦDmax	$s^{+0.2}$	b	Φd1	h1	Φd2	h2	Φd3	ISO
OM4000	395.5	131.5	264	178	131	119.5	50.5	75	80.4	22.15 22.07	115.2 115.1	28	23.90 23.84	5	6	F14,F16,F20

Item	Description	Qty	Material / Standard
1	Housing	1	SG Iron IS:1865 400/15
2	Quadrant	1	SG Iron IS:1865 500/7
3	Top cover	1	SG Iron IS:1865 400/15
4	End cover front	1	SG Iron IS:1865 400/15
5	End cover rear	1	SG Iron IS:1865 400/15
6	Worm shaft	1	BS:970 709M40 COND.R
7	Indicator	1	Aluminium
8	Hex Head screws	3	IS:1367 Gr.8.8
9	Hex Head screws	12	IS:1367 Gr.8.8
10	Oil seal	1	Nitrile rubber
11	Spacer	2	SS
12	Taper roller bearing	2	Stainless steel - 316
13	O Ring-Rear cover	2	Nitrile rubber - 70 Shore
14	O Ring-Quadrant	4	Nitrile rubber - 70 Shore

Item	Description	Qty	Material / Standard
15	Thrust washer	2	Stainless steel – 316
16	O Ring-Indicator	1	Nitrile rubber - 70 Shore
17	O Ring-Quadrant	1	Nitrile rubber - 70 Shore
18	Stop nut	2	Carbon steel-DIN6334
19	Hex Socket set screw	2	IS:1367 Gr.10.9
20	Copper washer	2	IS:1367 Gr.8.8
21	O-Ring	2	Nitrile rubber - 70 Shore
22	Spring Washer	12	Carbon Steel
23	Plain washer	3	Carbon steel