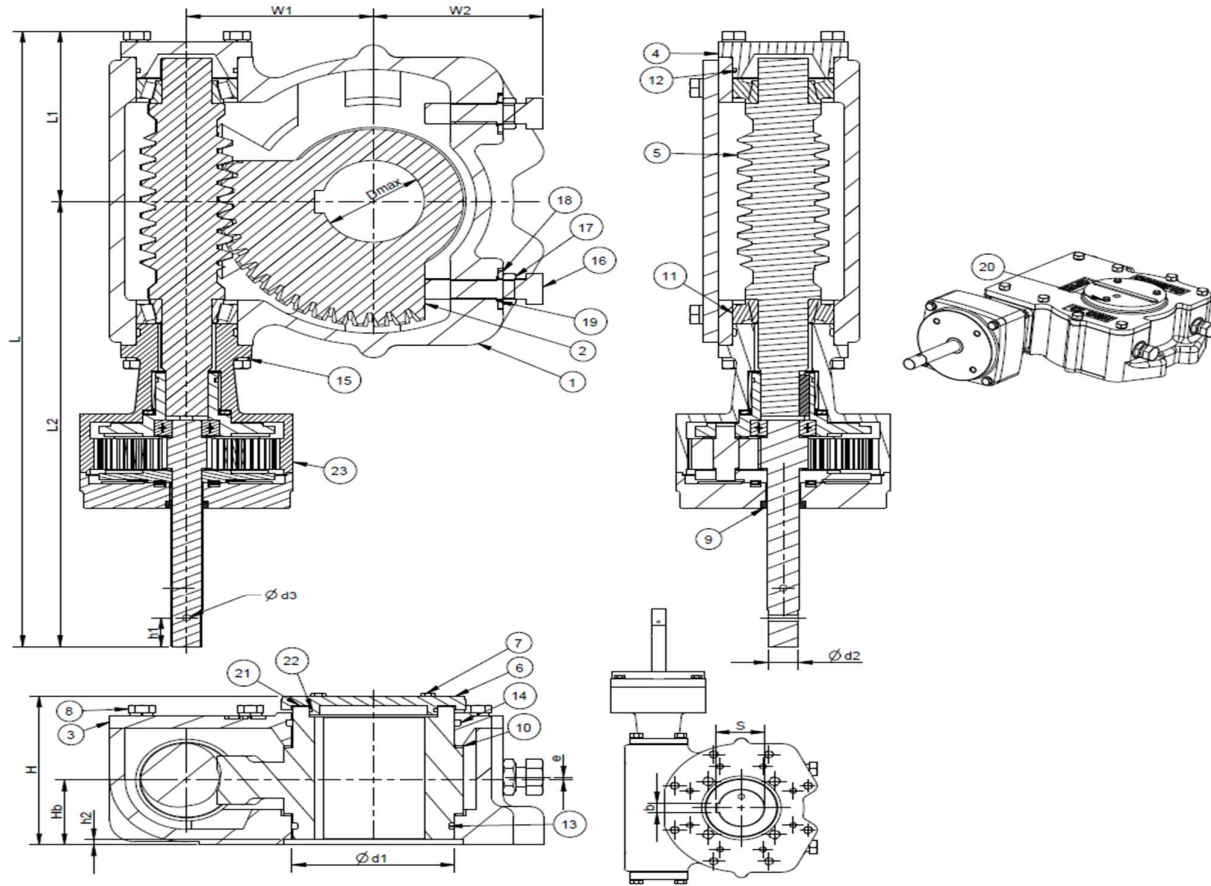


Model-OM6400					
Gear ratio	185	Turns to close	46.3	Bore dia (max.)	84mm
Rated output torque	6400Nm	Rated input torque	128Nm	Stem bore depth (max.)	126mm
Mechanical advantage	50	Mounting base	F16,F20, ISO 5211	Unit weight	50Kg



MODEL	L	L1	L2	W1	W2	H	Hb	e	ØDmax	S <sup>+0.2</sup>	b	Ød1	h1	Ød2	h2	Ød3	ISO
M6400P4	512	151.5	360.5	137.5	123	141	61	3	84	89.4	22.15 22.07	127.2 127.1	28	20.00 19.98	5	6	F16,F20,F25

Item	Description	Qty	Material / Standard
1	Housing	1	SG Iron IS:1865 400/15
2	Quadrant	1	SG Iron IS:1865 500/7
3	Top cover	1	SG Iron IS:1865 400/15
4	End cover rear	1	SG Iron IS:1865 400/15
5	Worm shaft	1	BS:970 709M40 COND.R
6	Indicator	1	Aluminium
7	Hex Head screws	3	IS:1367 Gr.8.8
8	Hex Head screws	14	IS:1367 Gr.8.8
9	Oil seal	1	Nitrile rubber
10	Thrust washer	2	Stainless steel - 316
11	Taper roller bearing	2	Stainless steel - 316
12	O Ring-Rear cover	2	Nitrile rubber - 70 Shore

Item	Description	Qty	Material / Standard
13	O Ring-Quadrant	1	Nitrile rubber - 70 Shore
14	O Ring-Top cover	1	Nitrile rubber - 70 Shore
15	Spring Washer	14	Carbon Steel
16	Hex Head Bolt	2	IS:1367 Gr.8.8
17	Hex thin nut	2	IS:1367 Gr.8.8
18	Copper washer	2	IS:1367 Gr.8.8
19	O Ring	2	Nitrile rubber - 70 Shore
20	Plain washer	3	Carbon steel
21	Indicator-Gasket	1	Nitrile rubber - 70 Shore
22	O Ring-Indicator	2	Nitrile rubber - 70 Shore
23	PG-Assembly	1	SG Iron IS:1865 400/15