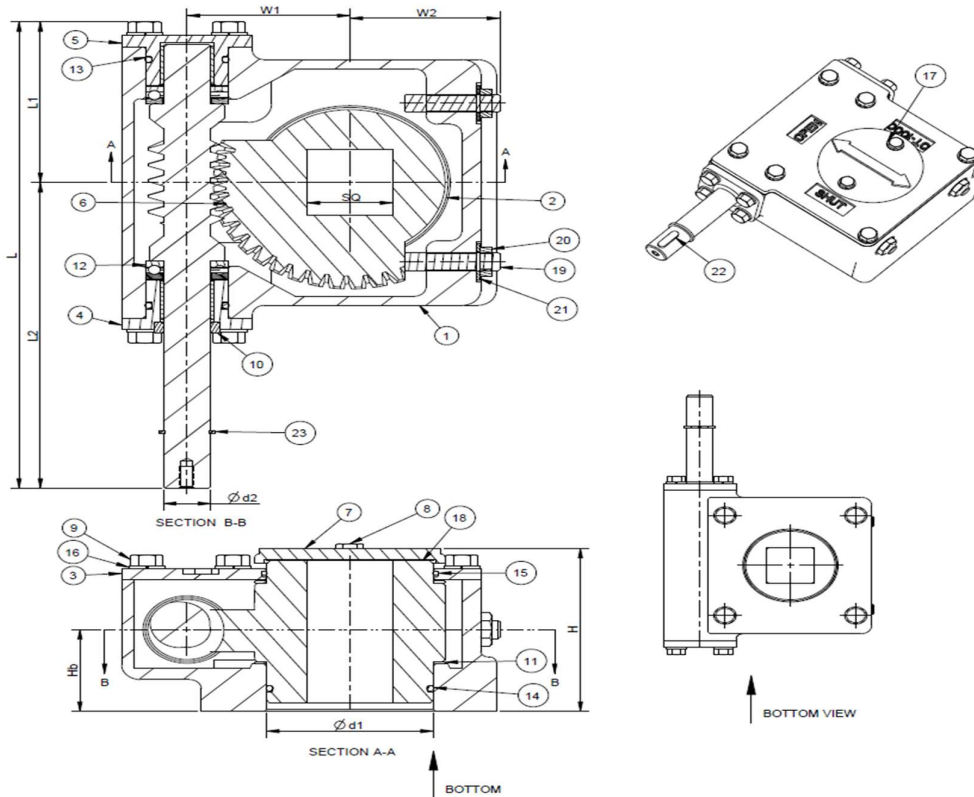


Model-OT1000					
Gear ratio	40	Turns to close	10	Bore Sq (max.)	36mm
Rated output torque	1000Nm	Rated input torque	68Nm	Stem bore depth (max.)	84mm
Mechanical advantage	14.7	Mounting base ISO 5211	F10,F12, F14	Unit weight	8.6Kg



MODEL	L	L1	L2	W1	W2	H	Hb	Φd1	Φd2	SQ	ISO
OT1000	256	88	168	68.5	63.5	90	45	70.3	20.00	36.2	F10,F12,F14
								70.2	19.98	36.1	

Item	Description	Qty	Material / Standard
1	Housing	1	C.I-IS210Gr.FG220
2	Quadrant	1	SG Iron IS:1865 500/7
3	Top cover	1	C.I-IS210Gr.FG220
4	End cover front	1	C.I-IS210Gr.FG220
5	End cover rear	1	C.I-IS210Gr.FG220
6	Worm shaft	1	BS:970 080M40(EN-8)
7	Indicator	1	Aluminium
8	Hex Head screws	3	IS:1367 Gr.8.8
9	Hex Head screws	14	IS:1367 Gr.8.8
10	Oil seal	1	Nitrile rubber
11	Thrust washer	2	Stainless steel - 316
12	Thrust bearing	2	Stainless steel - 316

Item	Description	Qty	Material / Standard
13	O Ring-Rear cover	2	Nitrile rubber - 70 Shore
14	O Ring-Quadrant	1	Nitrile rubber - 70 Shore
15	O Ring-Top cover	1	Nitrile rubber - 70 Shore
16	Spring Washer	14	Carbon Steel
17	Plain washer	3	Carbon steel
18	Indicator-Gasket	1	Nitrile rubber - 70 Shore
19	Hex Socket set screw	2	IS:1367 Gr.10.9
20	Hex thin nut	2	IS:1367 Gr.8.8
21	Copper washer	2	IS:1367 Gr.8.8
22	Key	1	Steel
23	Circlip	1	Carbon Steel-DIN 471