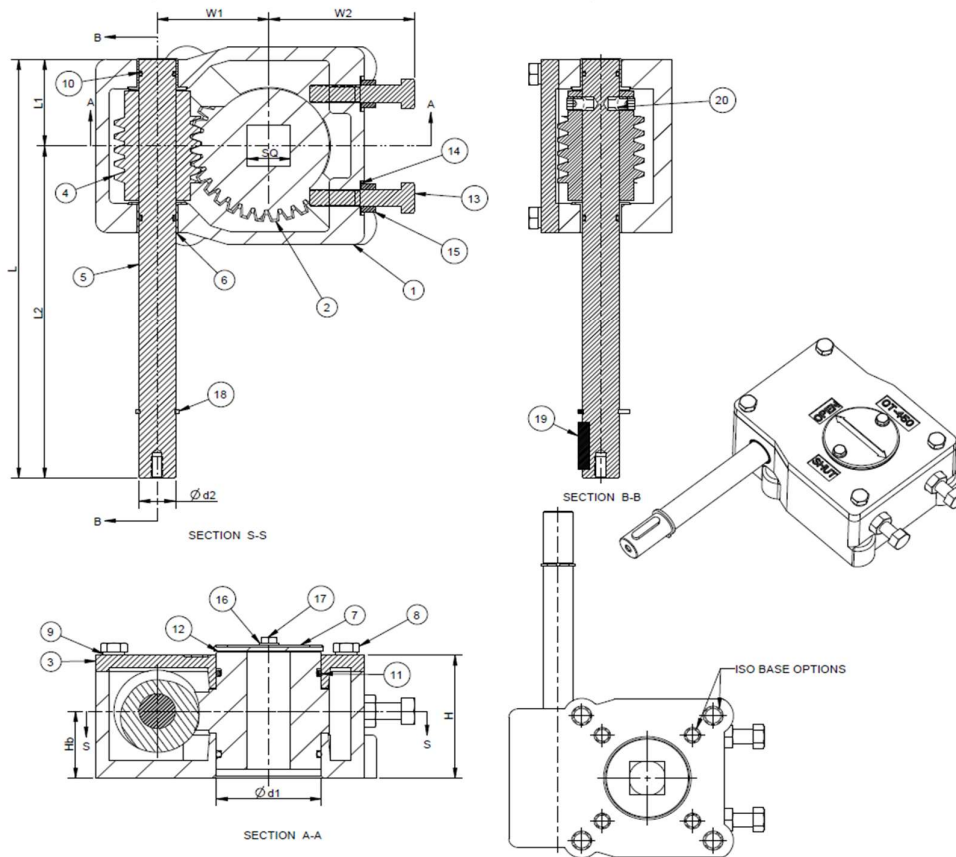


Model-OT450					
Gear ratio	32	Turns to close	8	Bore Sq (max.)	22mm
Rated output torque	450Nm	Rated input torque	45Nm	Stem bore depth (max.)	60mm
Mechanical advantage	10	Mounting base ISO 5211	F07,F10	Unit weight	3.2Kg



MODEL	L	L1	L2	W1	W2	H	Hb	Ød1	Ød2	SQ	ISO
OT450	194	40	154	49	64	57	31	46.2 46.1	16.00 15.97	22.20 22.10	F07,F10

Item	Description	Qty	Material / Standard	Item	Description	Qty	Material / Standard
1	Housing	1	C.I-IS210Gr.FG220	12	Indicator-Gasket	1	Nitrile rubber - 70 Shore
2	Quadrant	1	SG Iron IS:1865 500/7	13	Hex Head screws	2	IS:1367 Gr.8.8
3	Top cover	1	C.I-IS210Gr.FG220	14	Copper washer	2	IS:1367 Gr.8.8
4	Worm	1	BS:970 080M40(EN-8)	15	Hex nut	2	IS:1367 Gr.8.8
5	Shaft	1	BS:970 080M40(EN-8)	16	Plain washer	2	Carbon steel
6	Bush	2	Phosphor bronze	17	Hex Head Bolt	2	IS:1367 Gr.8.8
7	Indicator	1	Aluminium	18	Circlip	1	Carbon Steel-DIN 471
8	Hex Head screws	4	IS:1367 Gr.8.8	19	Key	1	Steel
9	Spring washer	4	Carbon steel	20	Hex socket set screw	2	DIN 913
10	O Ring	2	Nitrile rubber				
11	O Ring	2	Nitrile rubber				