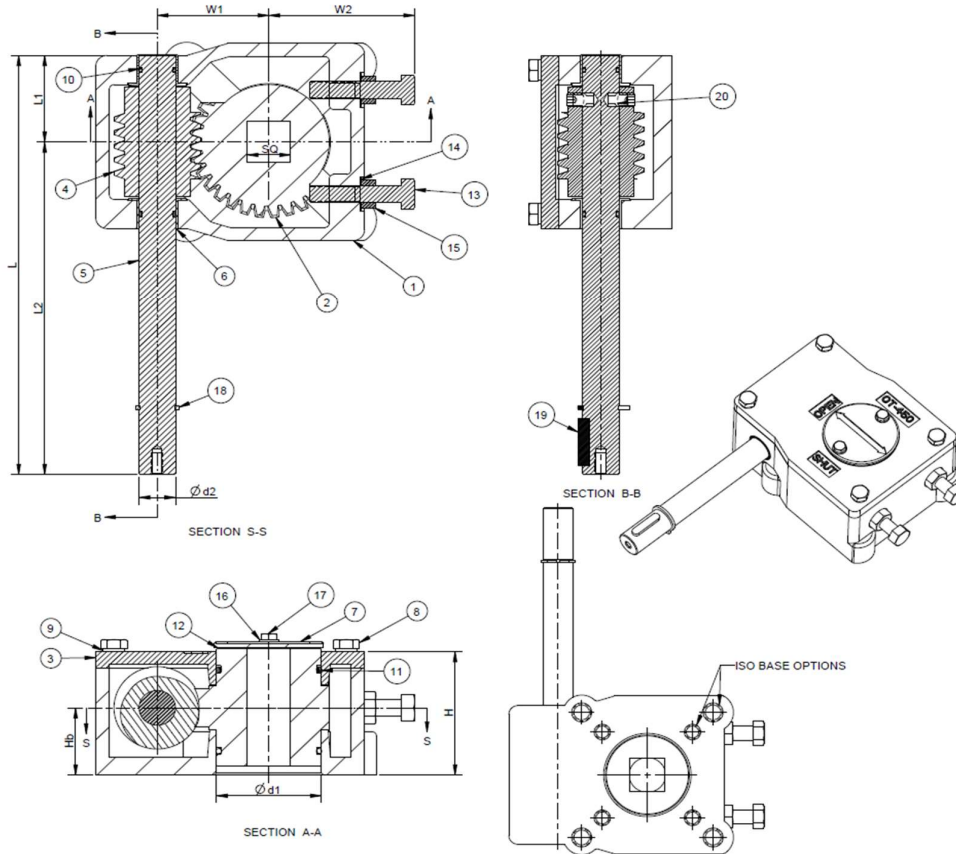


Model-OT500					
Gear ratio	40	Turns to close	10	Bore Sq (max.)	27mm
Rated output torque	500Nm	Rated input torque	45.45Nm	Stem bore depth (max.)	64mm
Mechanical advantage	11	Mounting base ISO 5211	F10,F12	Unit weight	4.2Kg



MODEL	L	L1	L2	W1	W2	H	Hb	Ød1	Ød2	SQ	ISO
OT500	197	41.5	155.5	57	76	59	33.5	54.2	16.00	27.20	F07,F10
								54.1	15.97	27.10	

Item	Description	Qty	Material / Standard
1	Housing	1	C.I-IS210Gr.FG220
2	Quadrant	1	SG Iron IS:1865 500/7
3	Top cover	1	C.I-IS210Gr.FG220
4	Worm	1	BS:970 080M40(EN-8)
5	Shaft	1	BS:970 080M40(EN-8)
6	Bush	2	Phosphor bronze
7	Indicator	1	Aluminium
8	Hex Head screws	4	IS:1367 Gr.8.8
9	Spring washer	4	Carbon steel
10	O Ring	2	Nitrile rubber
11	O Ring	2	Nitrile rubber

Item	Description	Qty	Material / Standard
12	Indicator-Gasket	1	Nitrile rubber - 70 Shore
13	Hex Head screws	2	IS:1367 Gr.8.8
14	Copper washer	2	IS:1367 Gr.8.8
15	Hex nut	2	IS:1367 Gr.8.8
16	Plain washer	2	Carbon steel
17	Hex Head Bolt	2	IS:1367 Gr.8.8
18	Circlip	1	Carbon Steel-DIN 471
19	Key	1	Steel
20	Hex socket set screw	2	DIN 913